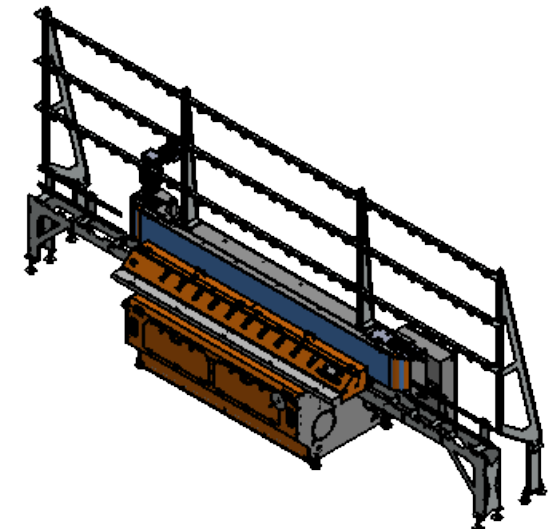
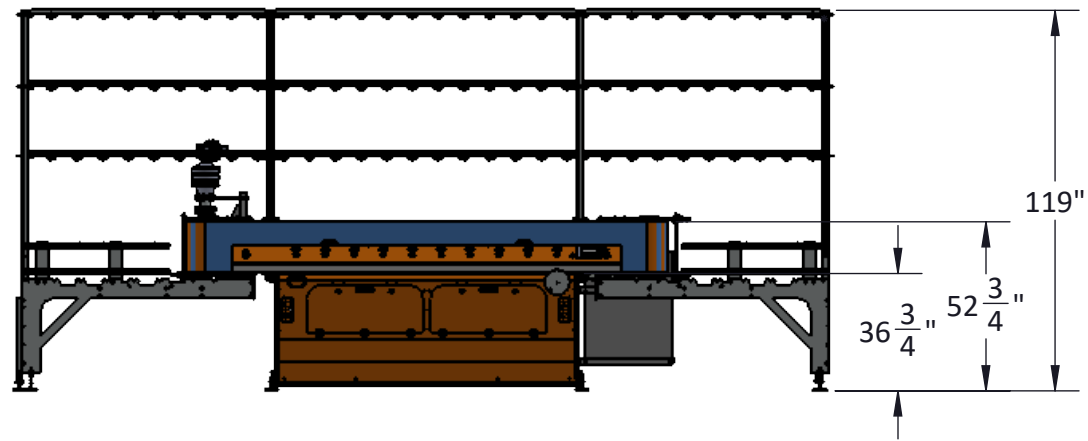
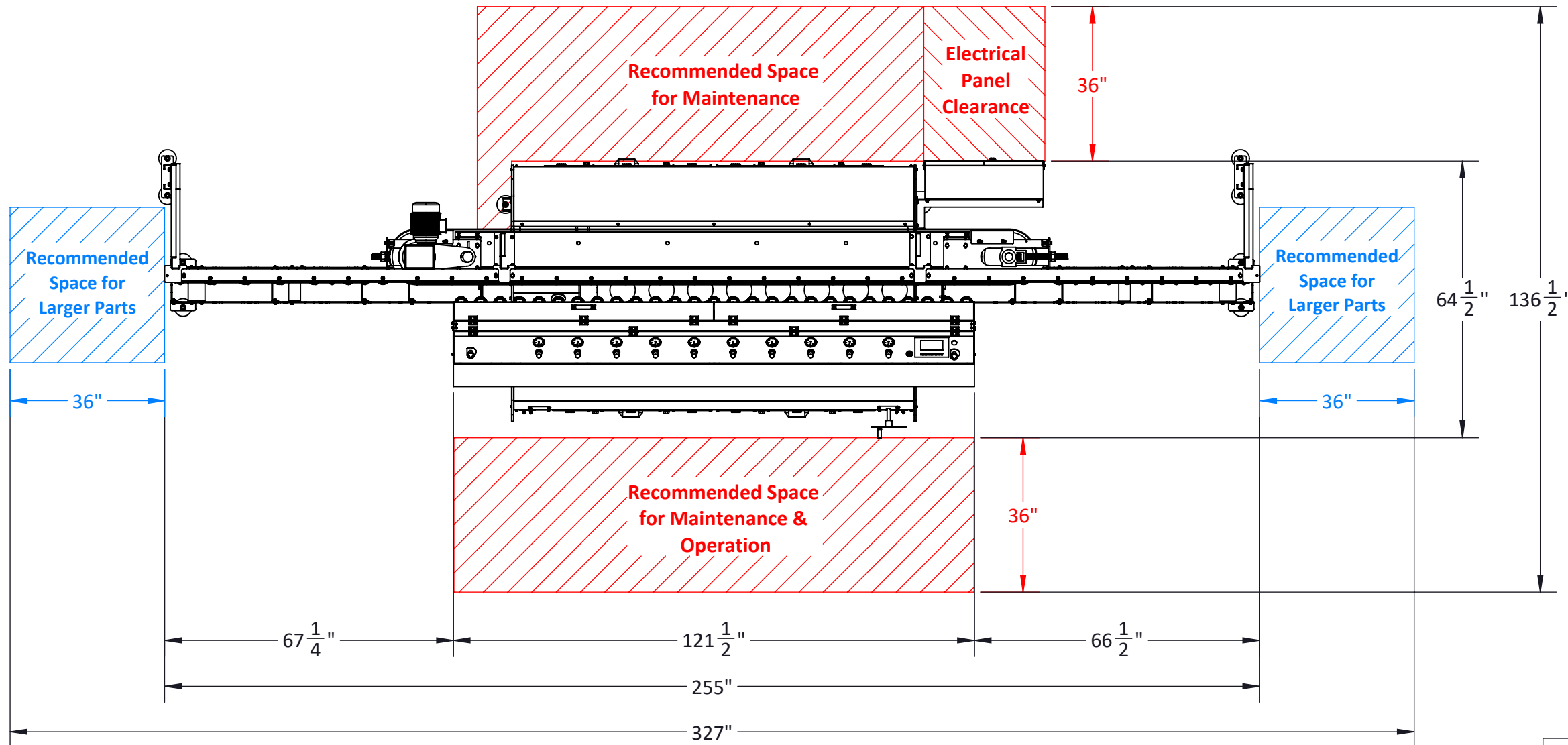


FRONT VIEW



TOP VIEW



Straight 8

Utility Requirements

Power:
220/240V AC 3Phase 80A

Air:
20cfm @ 110 PSI

Water:
30 GPM @ 35 PSI

See Pre-Install Document For Additional Information



FINAL PLACEMENT DETERMINED DURING INSTALLATION. DO NOT SCALE

PROPRIETARY AND CONFIDENTIAL. THE INFORMATION CONTAINED IN THIS DRAWING IS THE SOLE PROPERTY OF BACA SYSTEMS. ANY REPRODUCTION IN PART OR AS A WHOLE WITHOUT THE WRITTEN PERMISSION OF BACA SYSTEMS IS PROHIBITED.

DRAWN BY: MN	CHECKED BY: --
DESC: Straight 8 - Layout	
Job No.: --	REV: L-1.03
SIZE: B	SCALE 1:30
9/15/2023	SHEET 1 OF 3