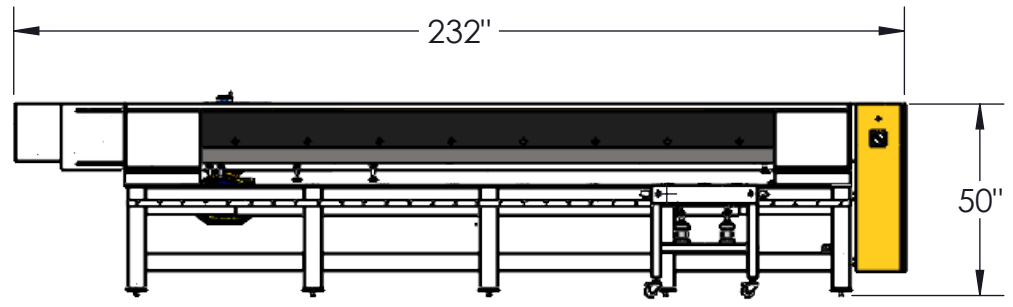
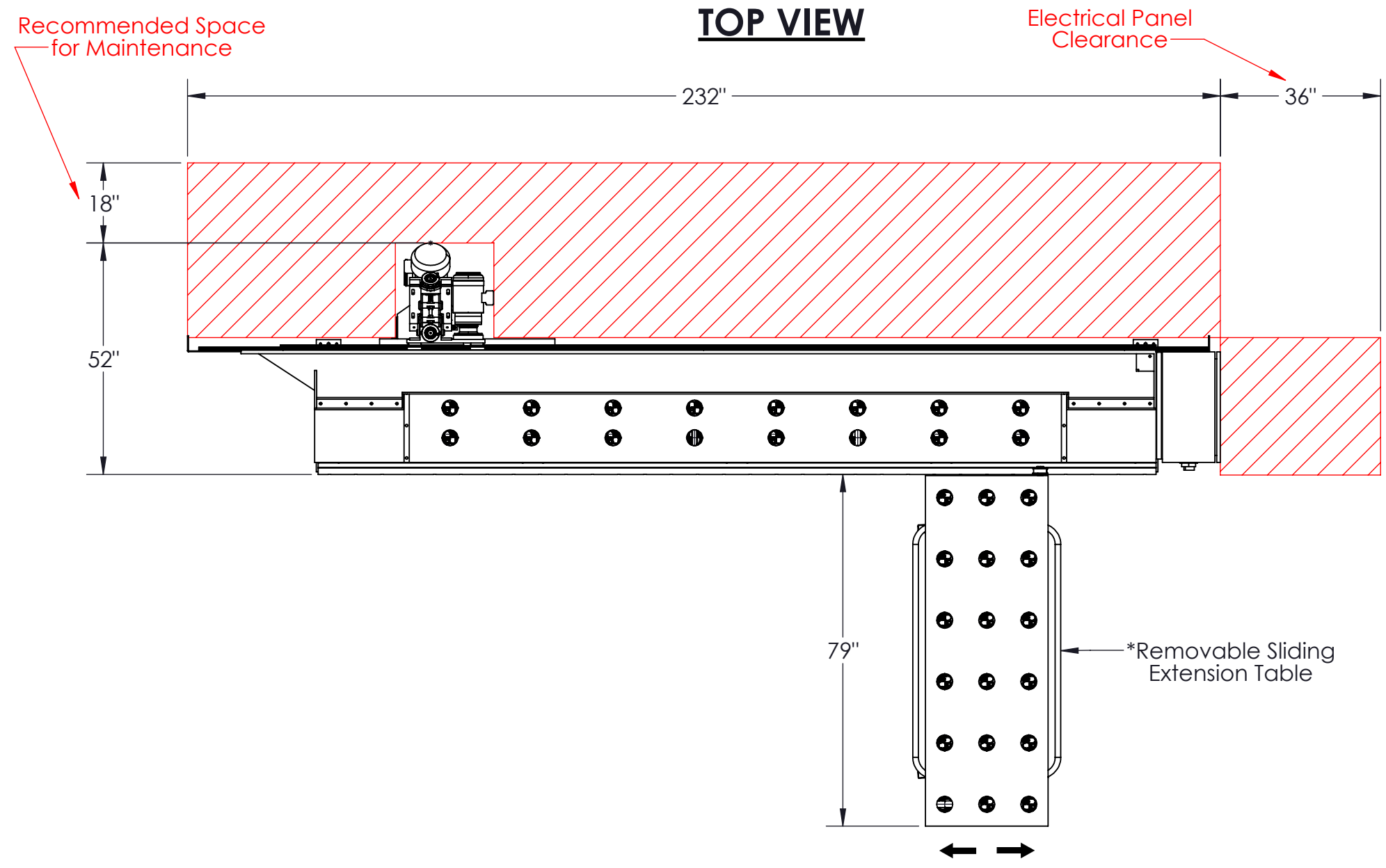


FRONT VIEW



TOP VIEW



Miter X 2.0

Utility Requirements

Power:
220V 3Phase 90A

Air:
10cfm @ 80 PSI

Water:
5 GPM @ 35 PSI

See Pre-Install Document For Additional Information



PROPRIETARY AND CONFIDENTIAL. THE INFORMATION CONTAINED IN THIS DRAWING IS THE SOLE PROPERTY OF BACA SYSTEMS. ANY REPRODUCTION IN PART OR AS A WHOLE WITHOUT THE WRITTEN PERMISSION OF BACA SYSTEMS IS PROHIBITED.

DRAWN BY: MN	CHECKED BY:
DESC: Miter X 2.0 - LAYOUT	
Job Number:	REV: L-1.02
SIZE: B	SCALE 1:25
7/11/2023	SHEET 1 OF 1

FINAL PLACEMENT DETERMINED DURING INSTALLATION. DO NOT SCALE