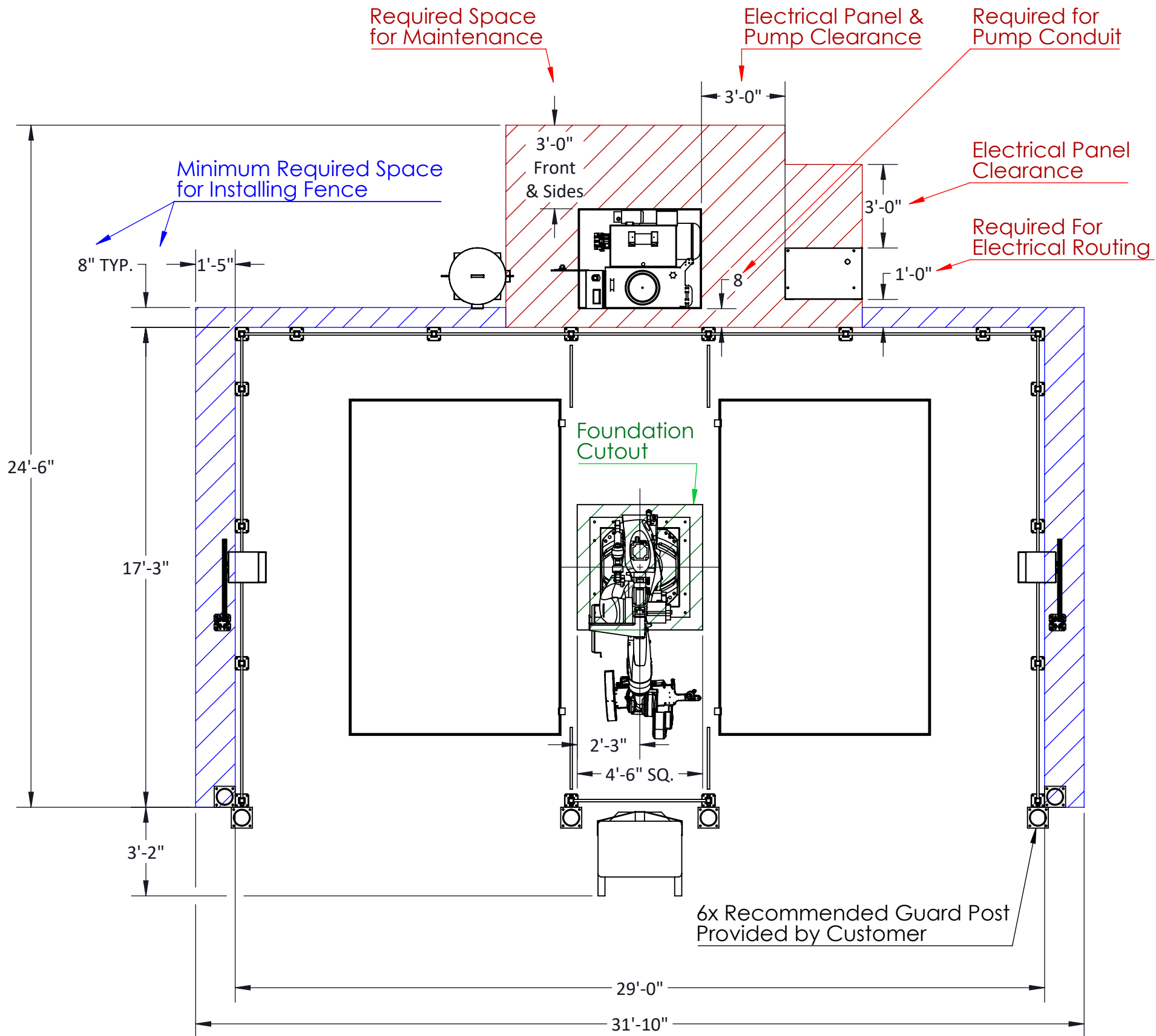


REVISIONS			
REV.	DESCRIPTION	DATE	APPROVED



RSJ Dual Pocket Back Utilities

Utility Requirements

- Power:**
- 1 Circuit 480V 3Phase 80A 60Hz (Robot)
 - 1 Circuit 480V 3Phase 100A 60Hz (Pump)

- Air:**
- 1 Source 4cfm
 - 1 Port (Robot)
 - 1 Port (Abrasive Hopper)

- Water:**
- 1 Source Clean
 - 1 Port 4gpm (Waterjet)
 - 1 Port 3-5gpm <65°F (Pump Cooling Water)
 - 1 Source Gray 5gpm (Saw Water)

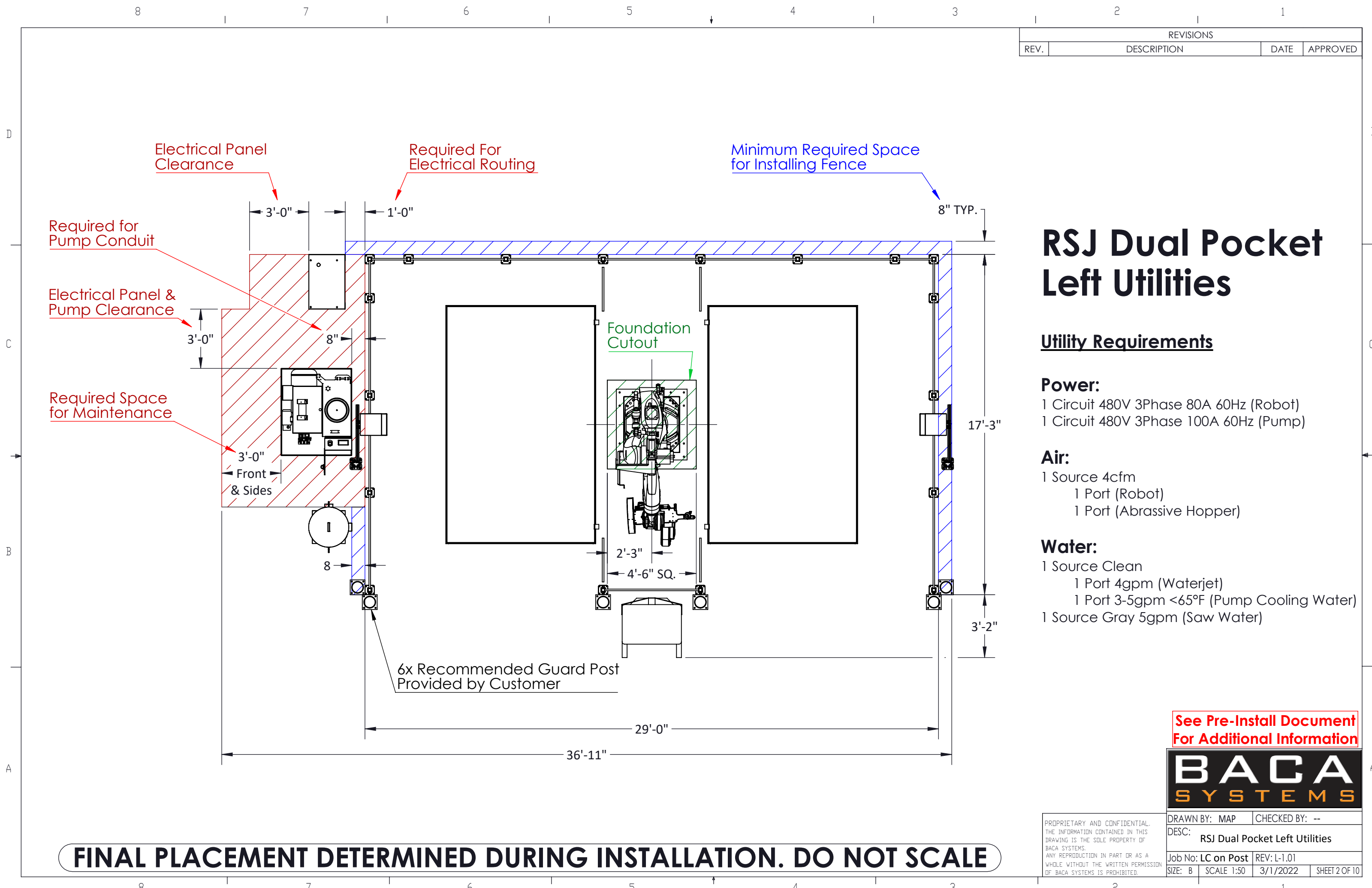
See Pre-Install Document For Additional Information



FINAL PLACEMENT DETERMINED DURING INSTALLATION. DO NOT SCALE

PROPRIETARY AND CONFIDENTIAL. THE INFORMATION CONTAINED IN THIS DRAWING IS THE SOLE PROPERTY OF BACA SYSTEMS. ANY REPRODUCTION IN PART OR AS A WHOLE WITHOUT THE WRITTEN PERMISSION OF BACA SYSTEMS IS PROHIBITED.		DRAWN BY: MAP CHECKED BY: -- DESC: RSJ Dual Pocket Back Utilities Job No: LC on Post SIZE: B SCALE: 1:50	REV: L-1.01 3/1/2022 SHEET 1 OF 10
--	--	---	--

REVISIONS			
REV.	DESCRIPTION	DATE	APPROVED



RSJ Dual Pocket Left Utilities

Utility Requirements

- Power:**
 1 Circuit 480V 3Phase 80A 60Hz (Robot)
 1 Circuit 480V 3Phase 100A 60Hz (Pump)

- Air:**
 1 Source 4cfm
 1 Port (Robot)
 1 Port (Abrasive Hopper)

- Water:**
 1 Source Clean
 1 Port 4gpm (Waterjet)
 1 Port 3-5gpm <65°F (Pump Cooling Water)
 1 Source Gray 5gpm (Saw Water)

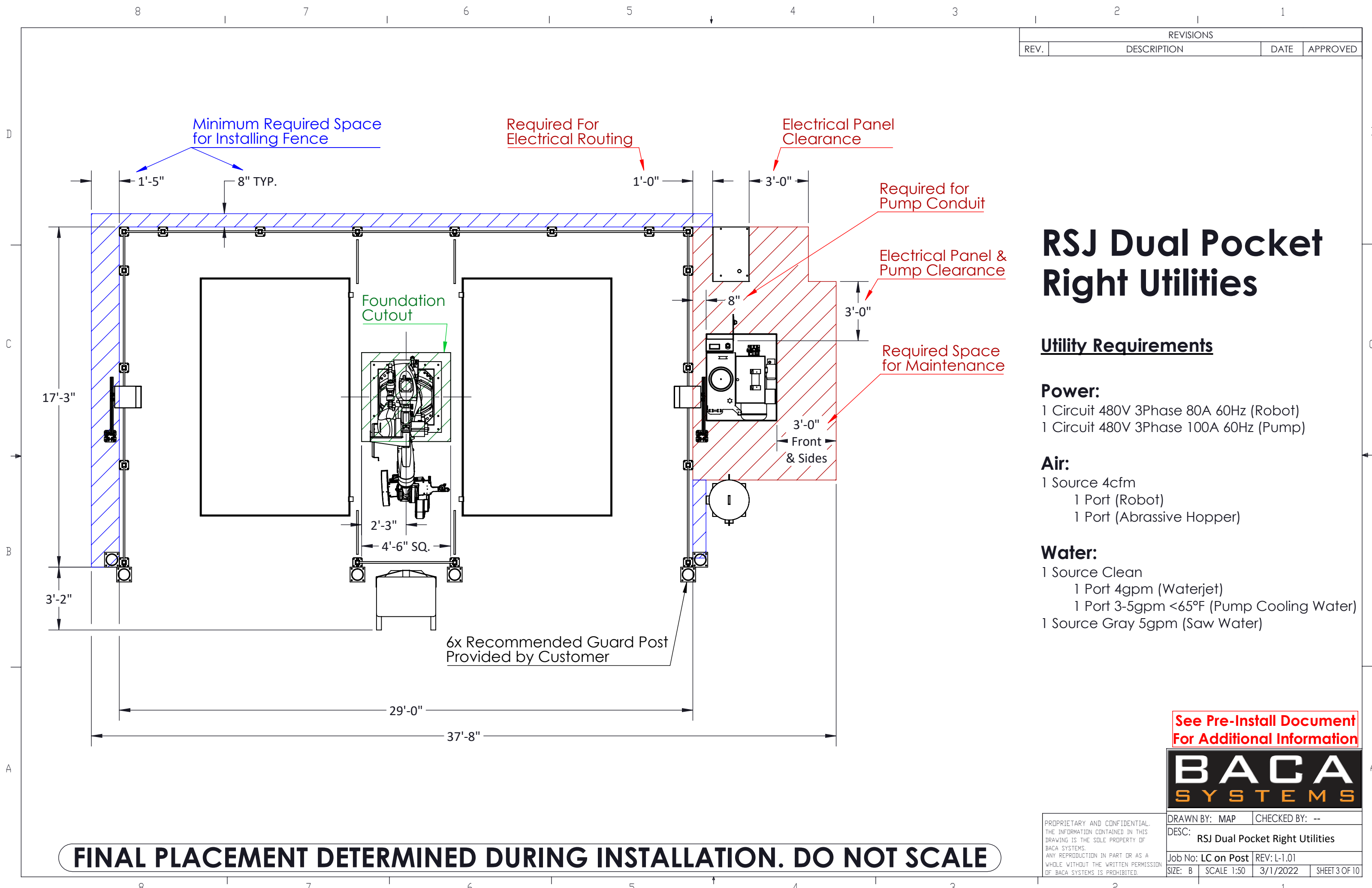
See Pre-Install Document For Additional Information



FINAL PLACEMENT DETERMINED DURING INSTALLATION. DO NOT SCALE

PROPRIETARY AND CONFIDENTIAL. THE INFORMATION CONTAINED IN THIS DRAWING IS THE SOLE PROPERTY OF BACA SYSTEMS. ANY REPRODUCTION IN PART OR AS A WHOLE WITHOUT THE WRITTEN PERMISSION OF BACA SYSTEMS IS PROHIBITED.		DRAWN BY: MAP	CHECKED BY: --
DESC: RSJ Dual Pocket Left Utilities		Job No: LC on Post	REV: L-1.01
SIZE: B	SCALE 1:50	3/1/2022	SHEET 2 OF 10

REVISIONS			
REV.	DESCRIPTION	DATE	APPROVED



RSJ Dual Pocket Right Utilities

Utility Requirements

Power:
 1 Circuit 480V 3Phase 80A 60Hz (Robot)
 1 Circuit 480V 3Phase 100A 60Hz (Pump)

Air:
 1 Source 4cfm
 1 Port (Robot)
 1 Port (Abrasive Hopper)

Water:
 1 Source Clean
 1 Port 4gpm (Waterjet)
 1 Port 3-5gpm <65°F (Pump Cooling Water)
 1 Source Gray 5gpm (Saw Water)

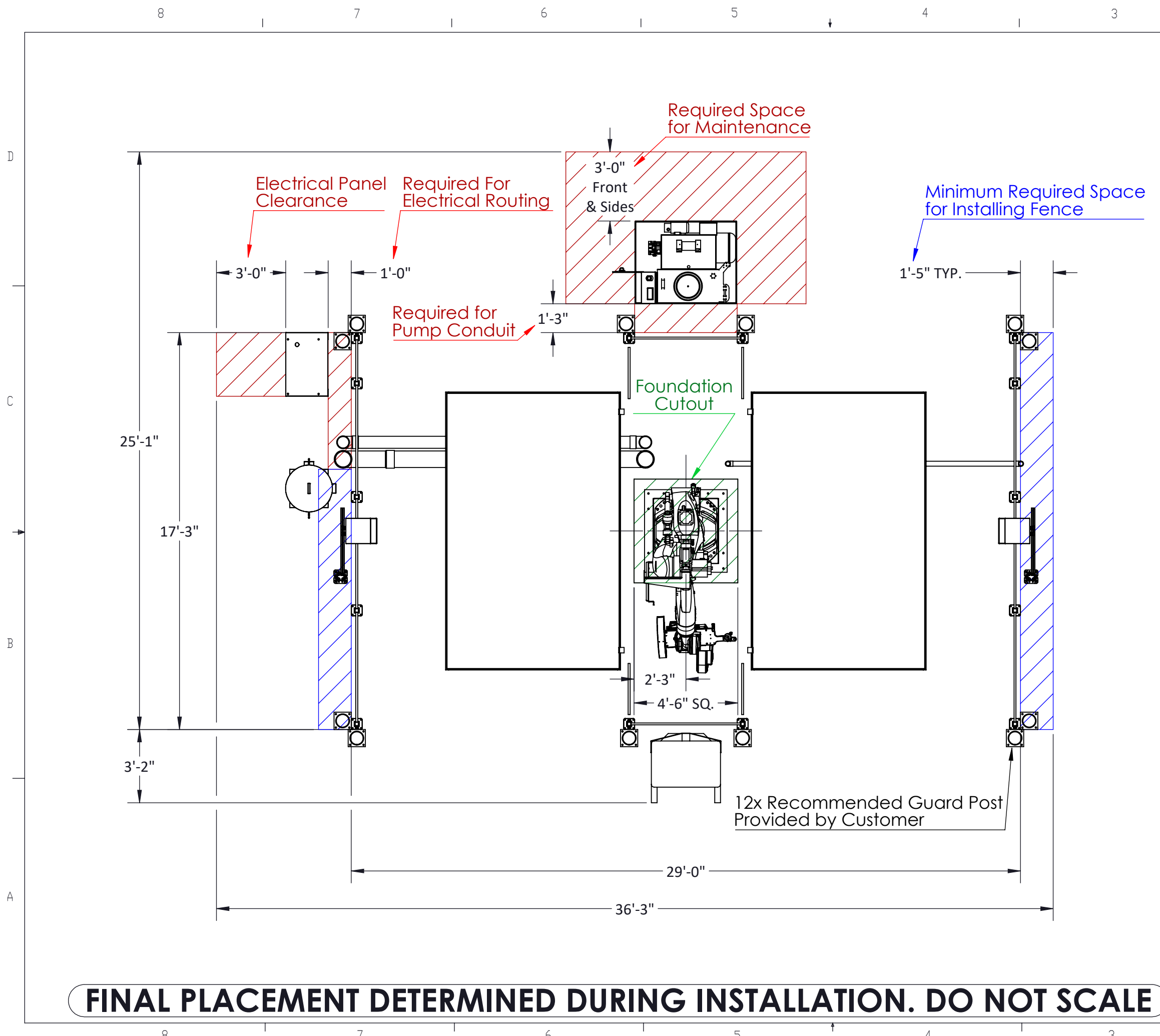
See Pre-Install Document For Additional Information



FINAL PLACEMENT DETERMINED DURING INSTALLATION. DO NOT SCALE

PROPRIETARY AND CONFIDENTIAL. THE INFORMATION CONTAINED IN THIS DRAWING IS THE SOLE PROPERTY OF BACA SYSTEMS. ANY REPRODUCTION IN PART OR AS A WHOLE WITHOUT THE WRITTEN PERMISSION OF BACA SYSTEMS IS PROHIBITED.		DRAWN BY: MAP	CHECKED BY: --
DESC: RSJ Dual Pocket Right Utilities		Job No: LC on Post	REV: L-1.01
SIZE: B	SCALE 1:50	3/1/2022	SHEET 3 OF 10

REVISIONS			
REV.	DESCRIPTION	DATE	APPROVED



RSJ Flow-Thru Left Utilities

Utility Requirements

Power:

- 1 Circuit 480V 3Phase 80A 60Hz (Robot)
- 1 Circuit 480V 3Phase 100A 60Hz (Pump)

Air:

- 1 Source 4cfm
 - 1 Port (Robot)
 - 1 Port (Abrasive Hopper)

Water:

- 1 Source Clean
 - 1 Port 4gpm (Waterjet)
 - 1 Port 3-5gpm <65°F (Pump Cooling Water)
- 1 Source Gray 5gpm (Saw Water)

SEE NEXT PAGE FOR CUTOUT DIMENSIONS

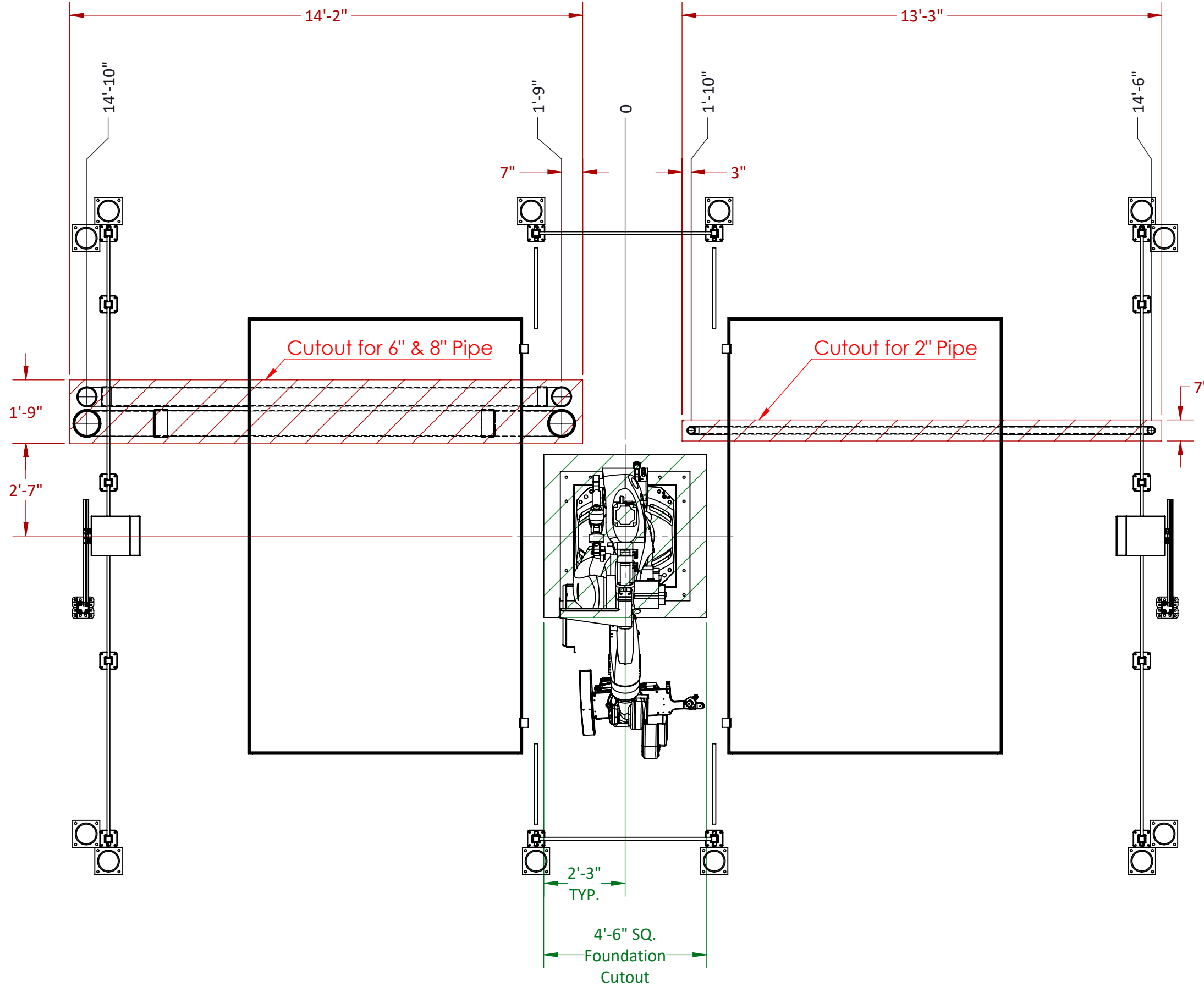
See Pre-Install Document For Additional Information



FINAL PLACEMENT DETERMINED DURING INSTALLATION. DO NOT SCALE

PROPRIETARY AND CONFIDENTIAL. THE INFORMATION CONTAINED IN THIS DRAWING IS THE SOLE PROPERTY OF BACA SYSTEMS. ANY REPRODUCTION IN PART OR AS A WHOLE WITHOUT THE WRITTEN PERMISSION OF BACA SYSTEMS IS PROHIBITED.		DRAWN BY: MAP	CHECKED BY: --
DESC: RSJ Dual Pocket Back Utilities		Job No: LC on Post	REV: L-1.01
SIZE: B	SCALE 1:50	3/1/2022	SHEET 4 OF 10

REVISIONS			
REV.	DESCRIPTION	DATE	APPROVED



RSJ Flow-Thru Left Utilities Cutout

Utility Requirements

- Power:**
- 1 Circuit 480V 3Phase 80A 60Hz (Robot)
 - 1 Circuit 480V 3Phase 100A 60Hz (Pump)

- Air:**
- 1 Source 4cfm
 - 1 Port (Robot)
 - 1 Port (Abrasive Hopper)

- Water:**
- 1 Source Clean
 - 1 Port 4gpm (Waterjet)
 - 1 Port 3-5gpm <65°F (Pump Cooling Water)
 - 1 Source Gray 5gpm (Saw Water)

See Pre-Install Document For Additional Information

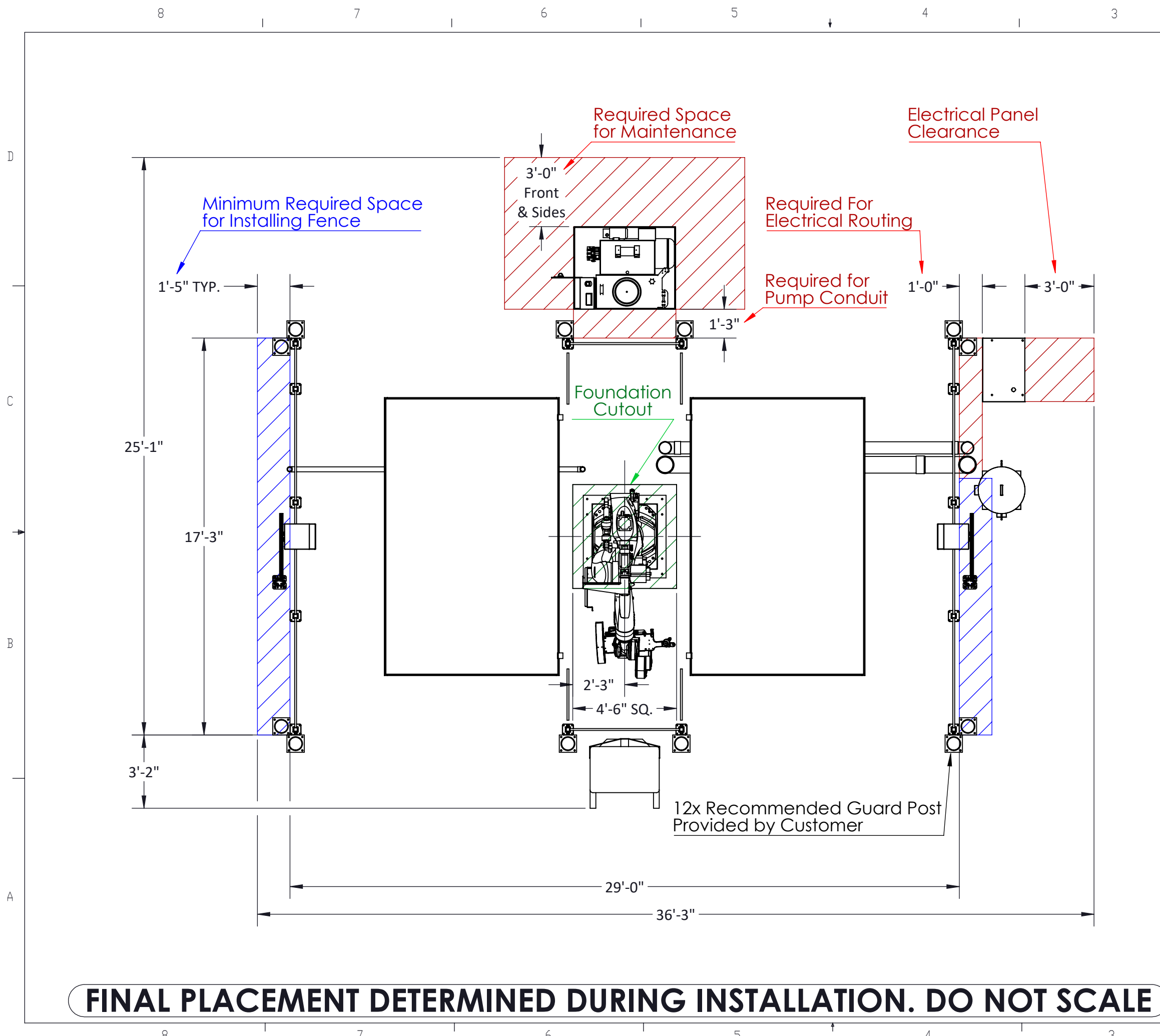


FINAL PLACEMENT DETERMINED DURING INSTALLATION. DO NOT SCALE

PROPRIETARY AND CONFIDENTIAL. THE INFORMATION CONTAINED IN THIS DRAWING IS THE SOLE PROPERTY OF BACA SYSTEMS. ANY REPRODUCTION IN PART OR AS A WHOLE WITHOUT THE WRITTEN PERMISSION OF BACA SYSTEMS IS PROHIBITED.

DRAWN BY: MAP	CHECKED BY: --
DESC: RSJ Dual Pocket Back Utilities	
Job No: LC on Post	REV: L-1.01
SIZE: B	SCALE 1:35
3/1/2022	SHEET 5 OF 10

REVISIONS			
REV.	DESCRIPTION	DATE	APPROVED



RSJ Flow-Thru Right Utilities

Utility Requirements

Power:
 1 Circuit 480V 3Phase 80A 60Hz (Robot)
 1 Circuit 480V 3Phase 100A 60Hz (Pump)

Air:
 1 Source 4cfm
 1 Port (Robot)
 1 Port (Abrasive Hopper)

Water:
 1 Source Clean
 1 Port 4gpm (Waterjet)
 1 Port 3-5gpm <65°F (Pump Cooling Water)
 1 Source Gray 5gpm (Saw Water)

SEE NEXT PAGE FOR CUTOUT DIMENSIONS

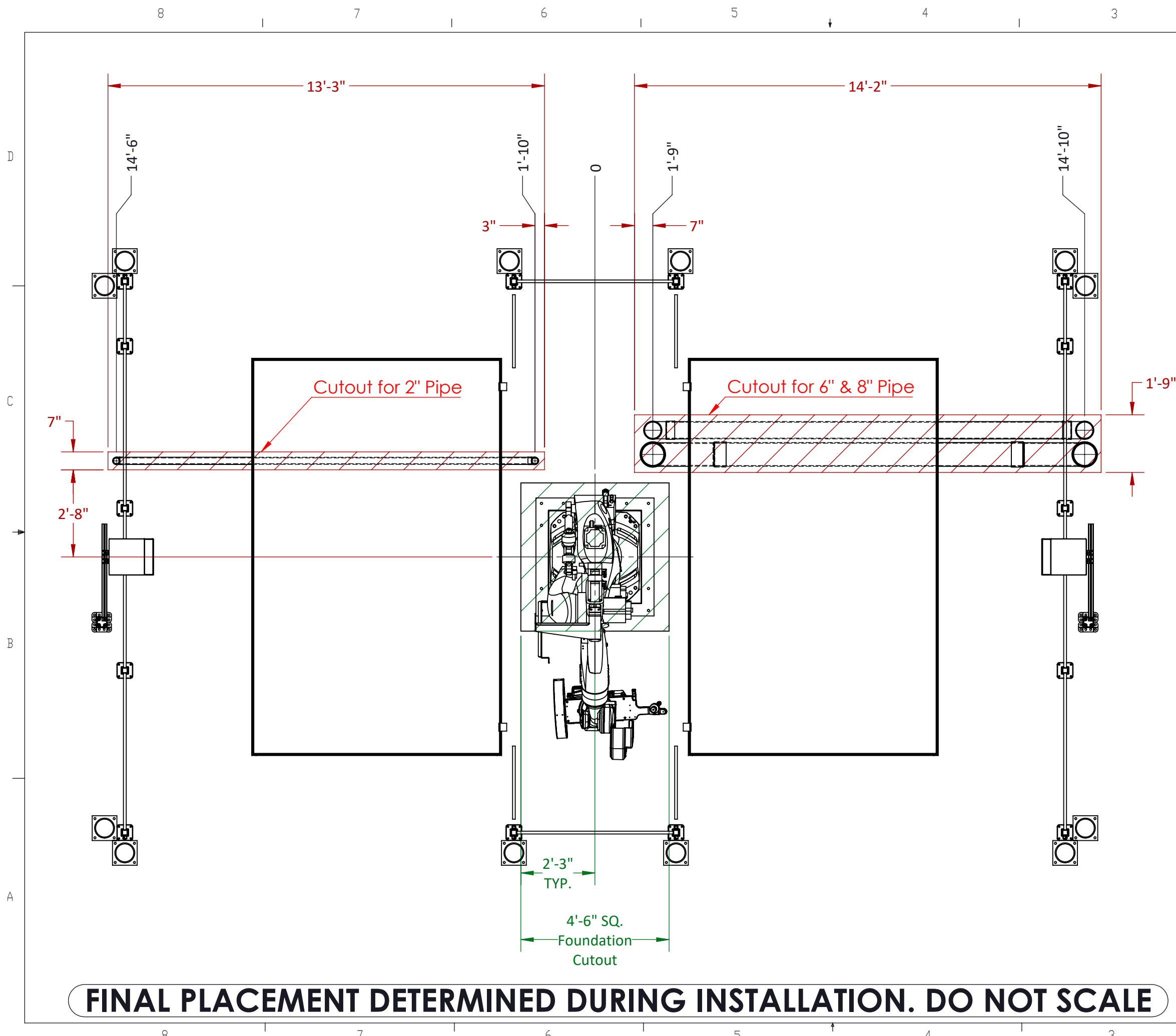
See Pre-Install Document For Additional Information



FINAL PLACEMENT DETERMINED DURING INSTALLATION. DO NOT SCALE

PROPRIETARY AND CONFIDENTIAL. THE INFORMATION CONTAINED IN THIS DRAWING IS THE SOLE PROPERTY OF BACA SYSTEMS. ANY REPRODUCTION IN PART OR AS A WHOLE WITHOUT THE WRITTEN PERMISSION OF BACA SYSTEMS IS PROHIBITED.		DRAWN BY: MAP	CHECKED BY: --
DESC: RSJ Dual Pocket Back Utilities		Job No: LC on Post	REV: L-1.01
SIZE: B	SCALE 1:50	3/1/2022	SHEET 6 OF 10

REVISIONS			
REV.	DESCRIPTION	DATE	APPROVED



RSJ Flow-Thru Right Utilities Cutout

Utility Requirements

Power:
 1 Circuit 480V 3Phase 80A 60Hz (Robot)
 1 Circuit 480V 3Phase 100A 60Hz (Pump)

Air:
 1 Source 4cfm
 1 Port (Robot)
 1 Port (Abrasive Hopper)

Water:
 1 Source Clean
 1 Port 4gpm (Waterjet)
 1 Port 3-5gpm <65°F (Pump Cooling Water)
 1 Source Gray 5gpm (Saw Water)

See Pre-Install Document For Additional Information

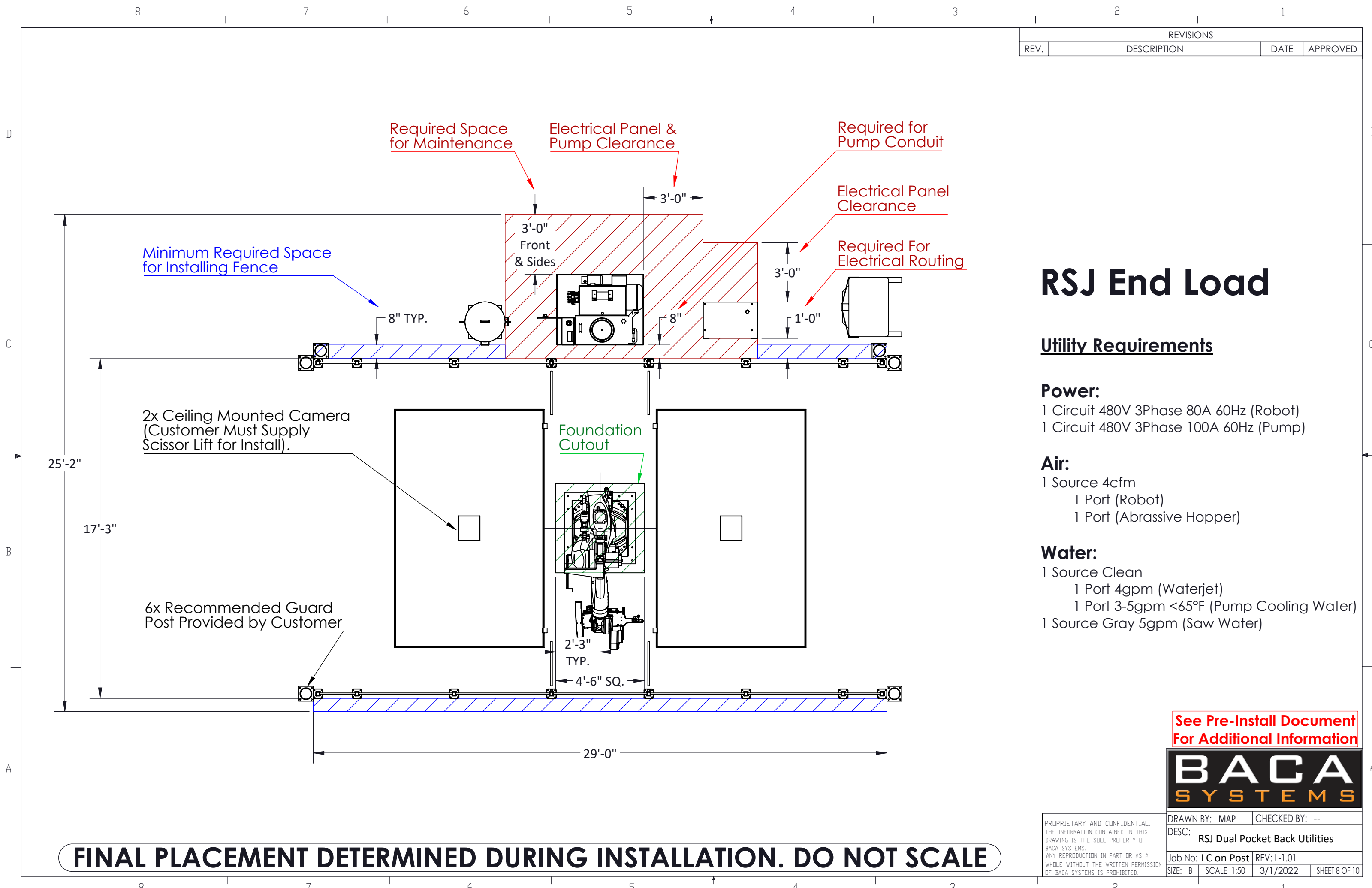


FINAL PLACEMENT DETERMINED DURING INSTALLATION. DO NOT SCALE

PROPRIETARY AND CONFIDENTIAL. THE INFORMATION CONTAINED IN THIS DRAWING IS THE SOLE PROPERTY OF BACA SYSTEMS. ANY REPRODUCTION IN PART OR AS A WHOLE WITHOUT THE WRITTEN PERMISSION OF BACA SYSTEMS IS PROHIBITED.

DRAWN BY: MAP	CHECKED BY: --
DESC: RSJ Dual Pocket Back Utilities	
Job No: LC on Post	REV: L-1.01
SIZE: B	SCALE 1:35
3/1/2022	SHEET 7 OF 10

REVISIONS			
REV.	DESCRIPTION	DATE	APPROVED



RSJ End Load

Utility Requirements

Power:
 1 Circuit 480V 3Phase 80A 60Hz (Robot)
 1 Circuit 480V 3Phase 100A 60Hz (Pump)

Air:
 1 Source 4cfm
 1 Port (Robot)
 1 Port (Abrasive Hopper)

Water:
 1 Source Clean
 1 Port 4gpm (Waterjet)
 1 Port 3-5gpm <65°F (Pump Cooling Water)
 1 Source Gray 5gpm (Saw Water)

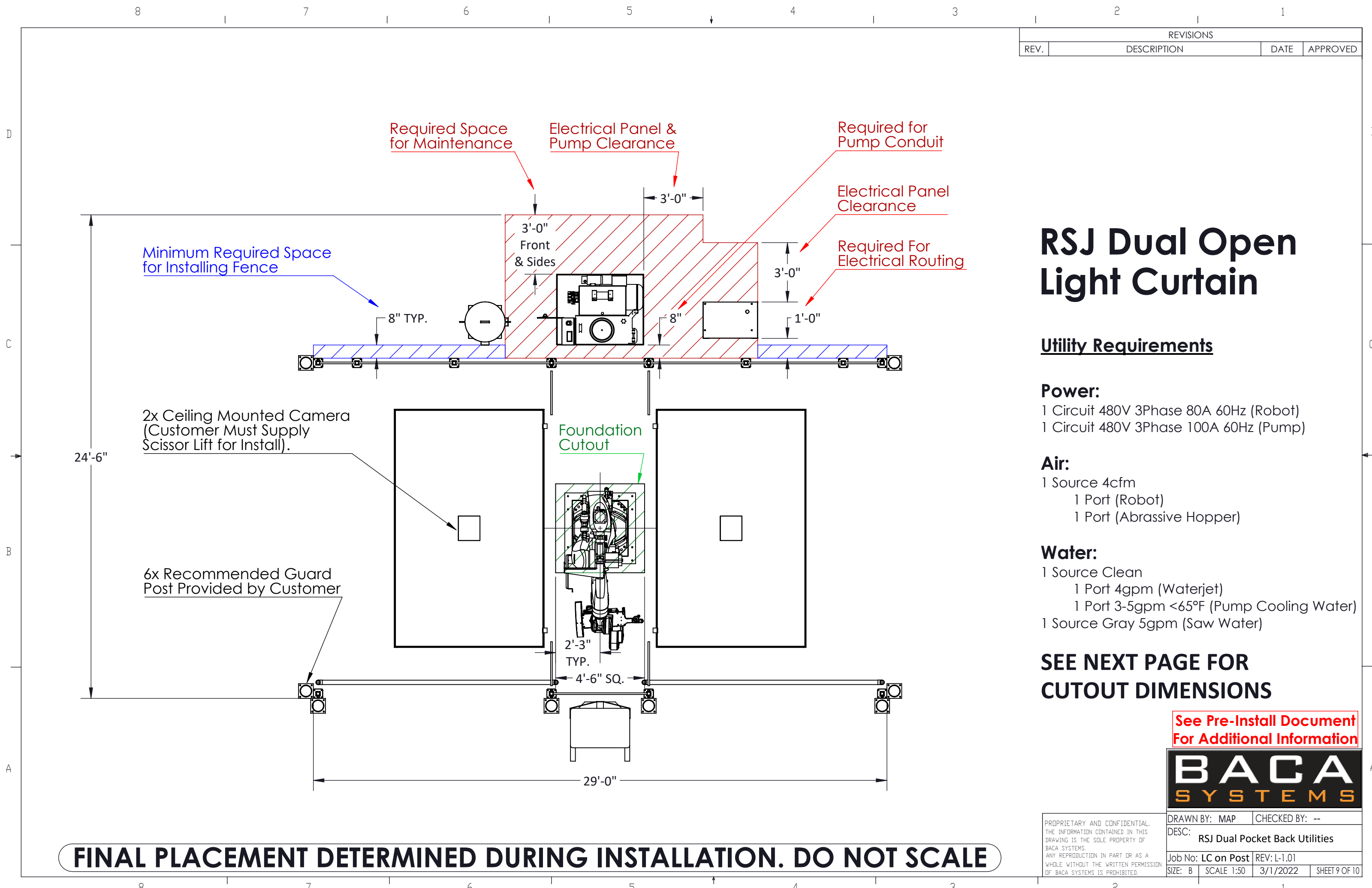
See Pre-Install Document For Additional Information



FINAL PLACEMENT DETERMINED DURING INSTALLATION. DO NOT SCALE

PROPRIETARY AND CONFIDENTIAL. THE INFORMATION CONTAINED IN THIS DRAWING IS THE SOLE PROPERTY OF BACA SYSTEMS. ANY REPRODUCTION IN PART OR AS A WHOLE WITHOUT THE WRITTEN PERMISSION OF BACA SYSTEMS IS PROHIBITED.		DRAWN BY: MAP	CHECKED BY: --
DESC: RSJ Dual Pocket Back Utilities		Job No: LC on Post	REV: L-1.01
SIZE: B	SCALE 1:50	3/1/2022	SHEET 8 OF 10

REVISIONS			
REV.	DESCRIPTION	DATE	APPROVED



RSJ Dual Open Light Curtain

Utility Requirements

Power:

- 1 Circuit 480V 3Phase 80A 60Hz (Robot)
- 1 Circuit 480V 3Phase 100A 60Hz (Pump)

Air:

- 1 Source 4cfm
 - 1 Port (Robot)
 - 1 Port (Abrasive Hopper)

Water:

- 1 Source Clean
 - 1 Port 4gpm (Waterjet)
 - 1 Port 3-5gpm <65°F (Pump Cooling Water)
- 1 Source Gray 5gpm (Saw Water)

SEE NEXT PAGE FOR CUTOUT DIMENSIONS

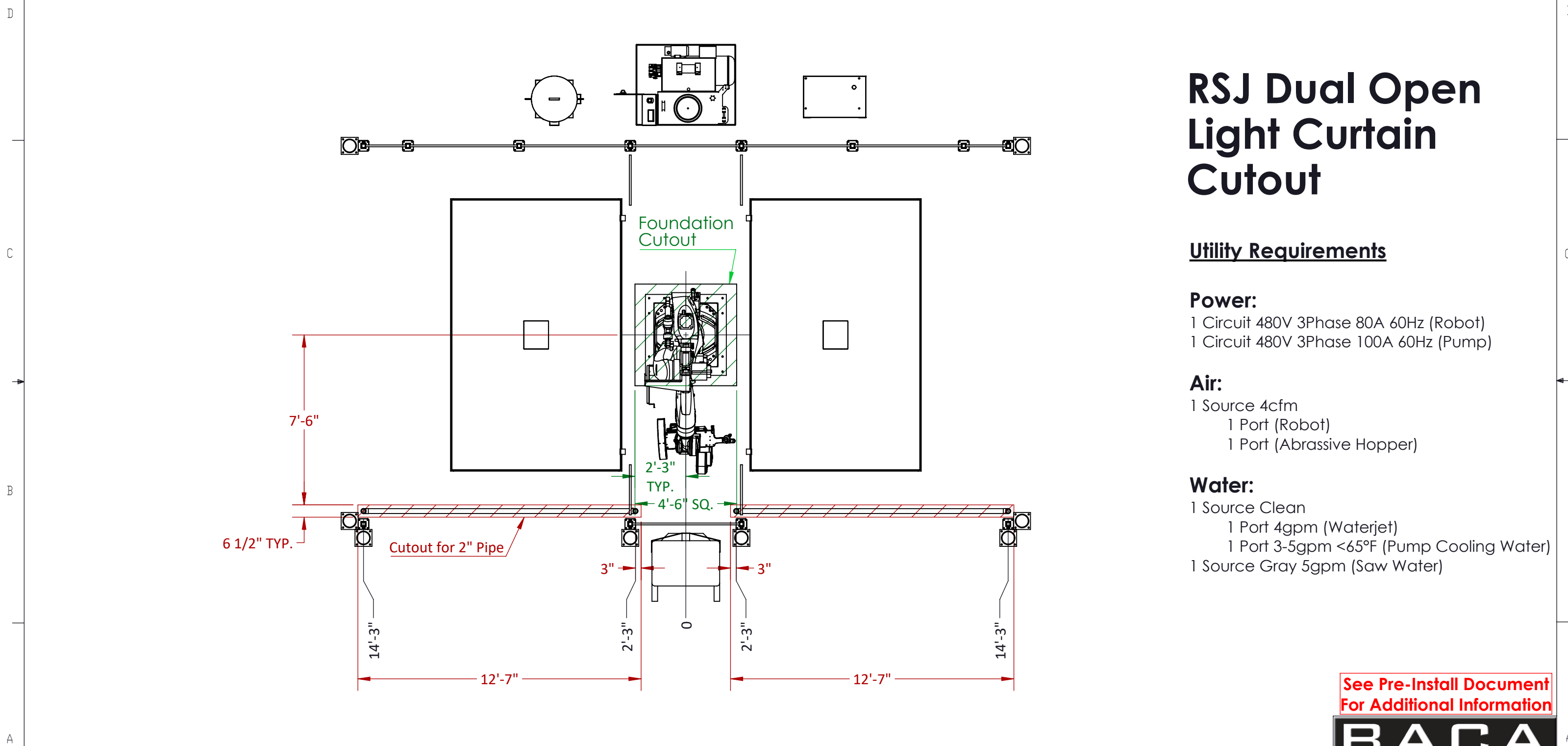
See Pre-Install Document For Additional Information



FINAL PLACEMENT DETERMINED DURING INSTALLATION. DO NOT SCALE

PROPRIETARY AND CONFIDENTIAL. THE INFORMATION CONTAINED IN THIS DRAWING IS THE SOLE PROPERTY OF BACA SYSTEMS. ANY REPRODUCTION IN PART OR AS A WHOLE WITHOUT THE WRITTEN PERMISSION OF BACA SYSTEMS IS PROHIBITED.		DRAWN BY: MAP	CHECKED BY: --
DESC: RSJ Dual Pocket Back Utilities		Job No: LC on Post	REV: L-1.01
SIZE: B	SCALE 1:50	3/1/2022	SHEET 9 OF 10

REVISIONS			
REV.	DESCRIPTION	DATE	APPROVED



RSJ Dual Open Light Curtain Cutout

Utility Requirements

Power:
 1 Circuit 480V 3Phase 80A 60Hz (Robot)
 1 Circuit 480V 3Phase 100A 60Hz (Pump)

Air:
 1 Source 4cfm
 1 Port (Robot)
 1 Port (Abrasive Hopper)

Water:
 1 Source Clean
 1 Port 4gpm (Waterjet)
 1 Port 3-5gpm <65°F (Pump Cooling Water)
 1 Source Gray 5gpm (Saw Water)

See Pre-Install Document For Additional Information



FINAL PLACEMENT DETERMINED DURING INSTALLATION. DO NOT SCALE

PROPRIETARY AND CONFIDENTIAL. THE INFORMATION CONTAINED IN THIS DRAWING IS THE SOLE PROPERTY OF BACA SYSTEMS. ANY REPRODUCTION IN PART OR AS A WHOLE WITHOUT THE WRITTEN PERMISSION OF BACA SYSTEMS IS PROHIBITED.		DRAWN BY: MAP	CHECKED BY: --
DESC: RSJ Dual Pocket Back Utilities		Job No: LC on Post	REV: L-1.01
SIZE: B	SCALE 1:50	3/1/2022	SHEET 10 OF 10