
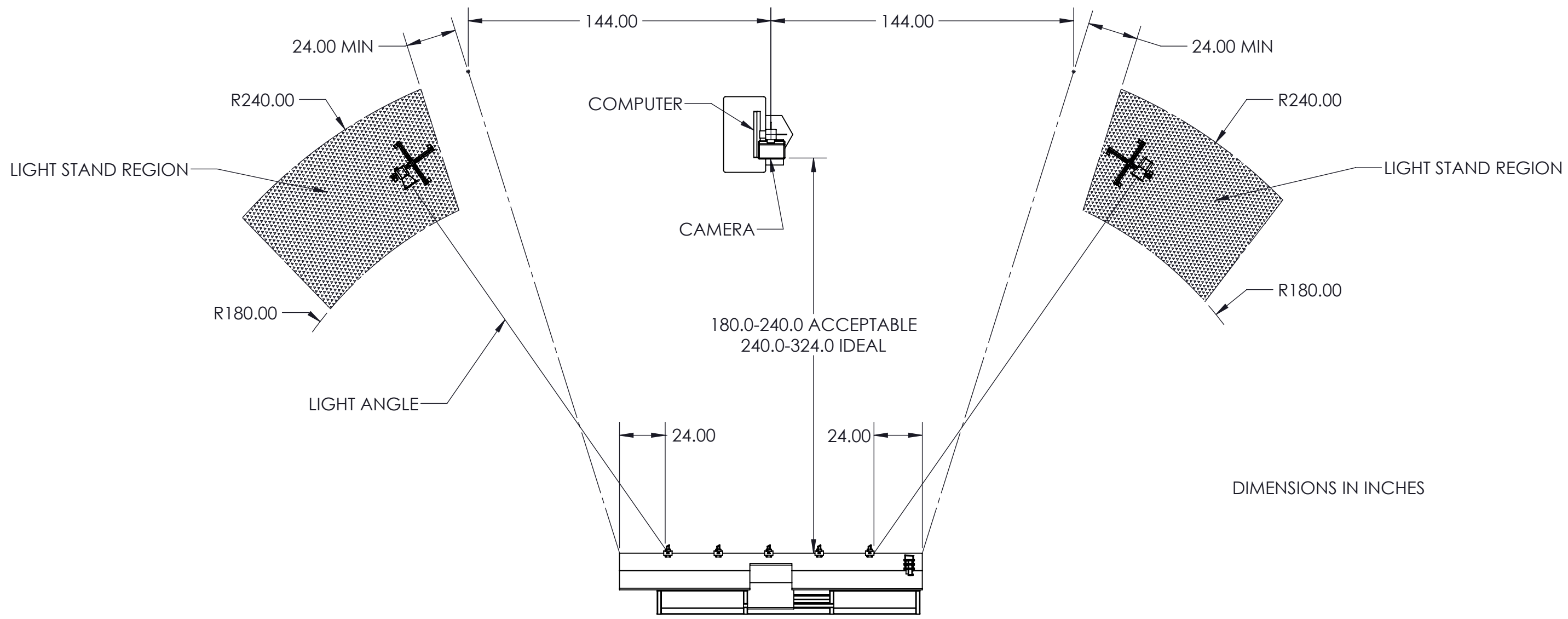


NOTE: Concept drawing only.  
All dimensions are approximate.  
Do not scale.

	NAME	DATE	
DESIGNED	RK		
DETAILED	RK		
CHECKED			
ENG APPR.			
MFG APPR.			TITLE: Granite Studio Station
UNLESS OTHERWISE SPECIFIED STOCK AND CUT-OFF DIMENSIONS ±0.031 ±0.5 ONE PLACE DECIMAL DIMENSIONS N/A ±0.2 TWO PLACE DECIMAL DIMENSIONS ±0.01 ±0.10 THREE PLACE DECIMAL DIMENSIONS ±0.005 ±0.013 FOUR PLACE DECIMAL DIMENSIONS ±0.0005 N/A MACHINE ANGLES ±0.5° ±0.5°			PROPRIETARY AND CONFIDENTIAL THE INFORMATION CONTAINED IN THIS DRAWING IS THE SOLE PROPERTY OF BACA SYSTEMS. ANY REPRODUCTION IN PART OR AS A WHOLE WITHOUT THE WRITTEN PERMISSION OF BACA SYSTEMS IS PROHIBITED.
SIZE	REV		
B	A-01		
SCALE 1:1	9/13/2017	SHEET 1 OF 6	



NOTE: Concept drawing only.  
All dimensions are approximate.  
Do not scale.

	INCHES	METRIC
UNLESS OTHERWISE SPECIFIED		
STOCK AND CUT-OFF DIMENSIONS	±0.031	±0.5
ONE PLACE DECIMAL DIMENSIONS	N/A	±0.2
TWO PLACE DECIMAL DIMENSIONS	±0.01	±0.10
THREE PLACE DECIMAL DIMENSIONS	±0.005	±0.013
FOUR PLACE DECIMAL DIMENSIONS	±0.0005	N/A
MACHINE ANGLES	±0.5°	±0.5°

	NAME	DATE
DESIGNED	RK	
DETAILED	RK	
CHECKED		
ENG APPR.		
MFG APPR.		



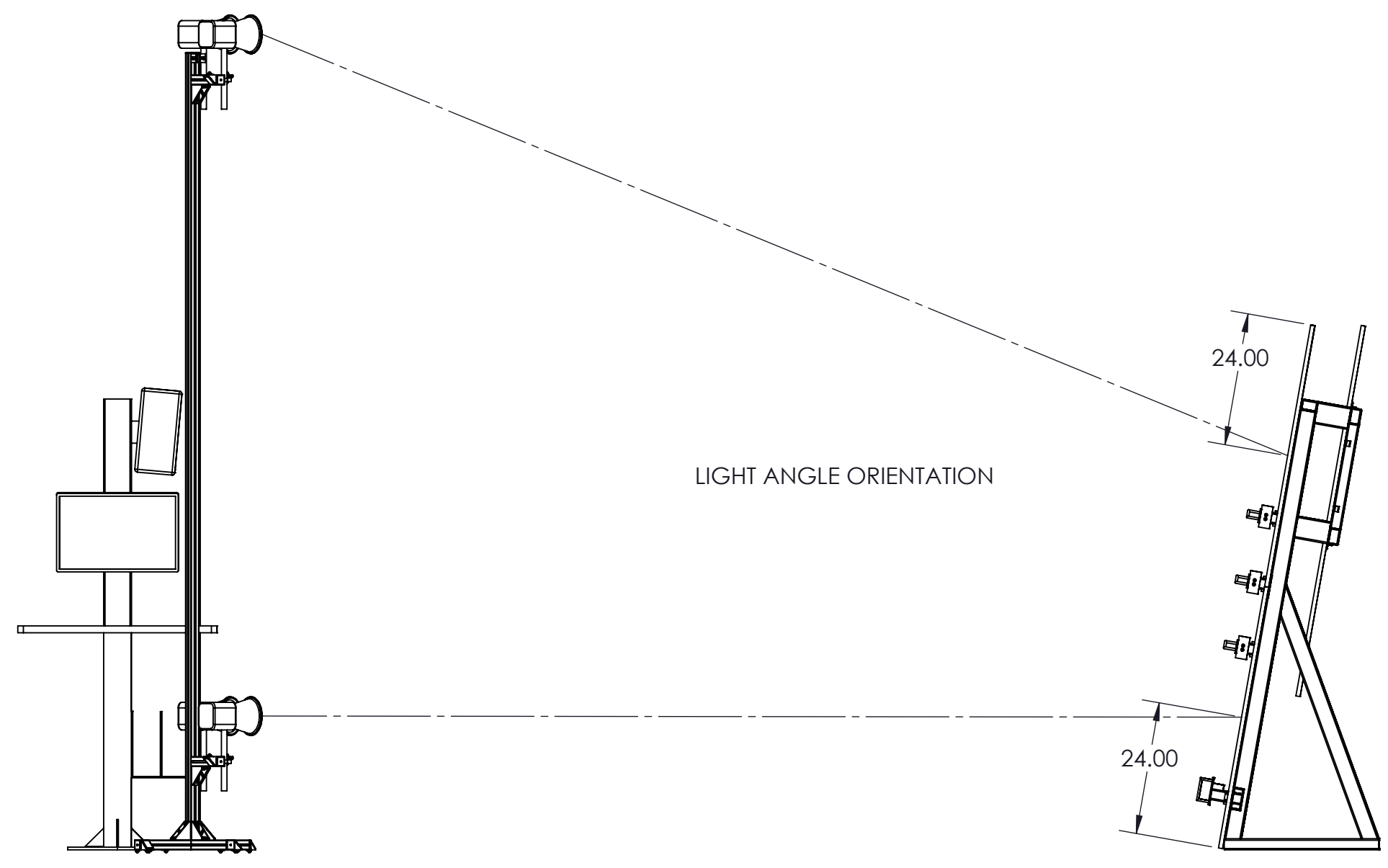
TITLE:  
Photo Station Layout

SIZE B	REV A-01
SCALE 1:1	9/13/2017
SHEET 2 OF 6	

PROPRIETARY AND CONFIDENTIAL  
THE INFORMATION CONTAINED IN THIS DRAWING IS THE SOLE PROPERTY OF BACA SYSTEMS. ANY REPRODUCTION IN PART OR AS A WHOLE WITHOUT THE WRITTEN PERMISSION OF BACA SYSTEMS IS PROHIBITED.

8 7 6 5 4 3 2 1

D  
C  
B  
A



LIGHT ANGLE ORIENTATION

	NAME	DATE
DESIGNED	RK	
DETAILED	RK	
CHECKED		
ENG APPR.		
MFG APPR.		



TITLE:  
SIDE VIEW

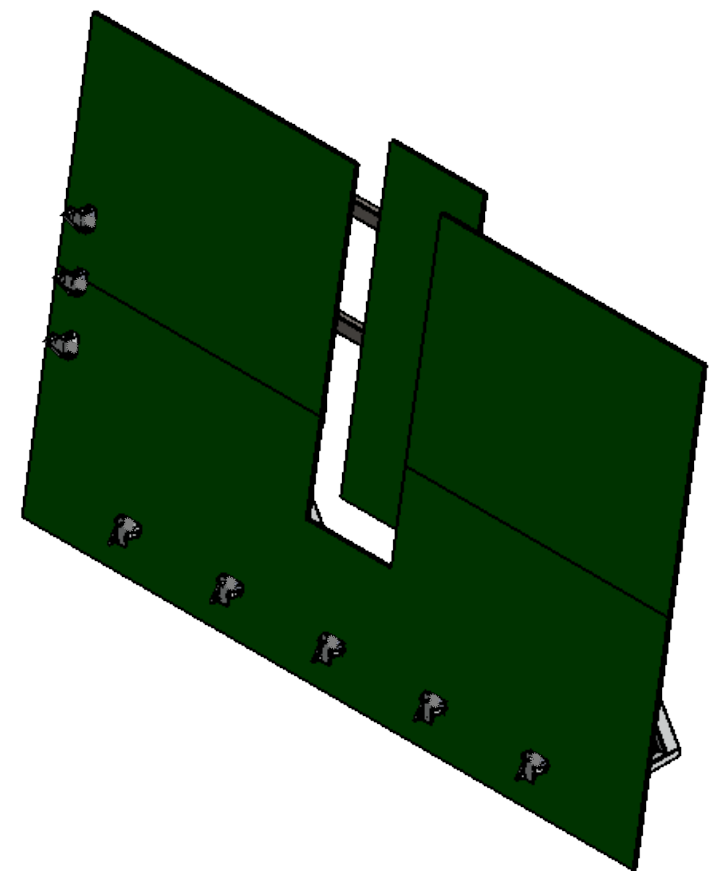
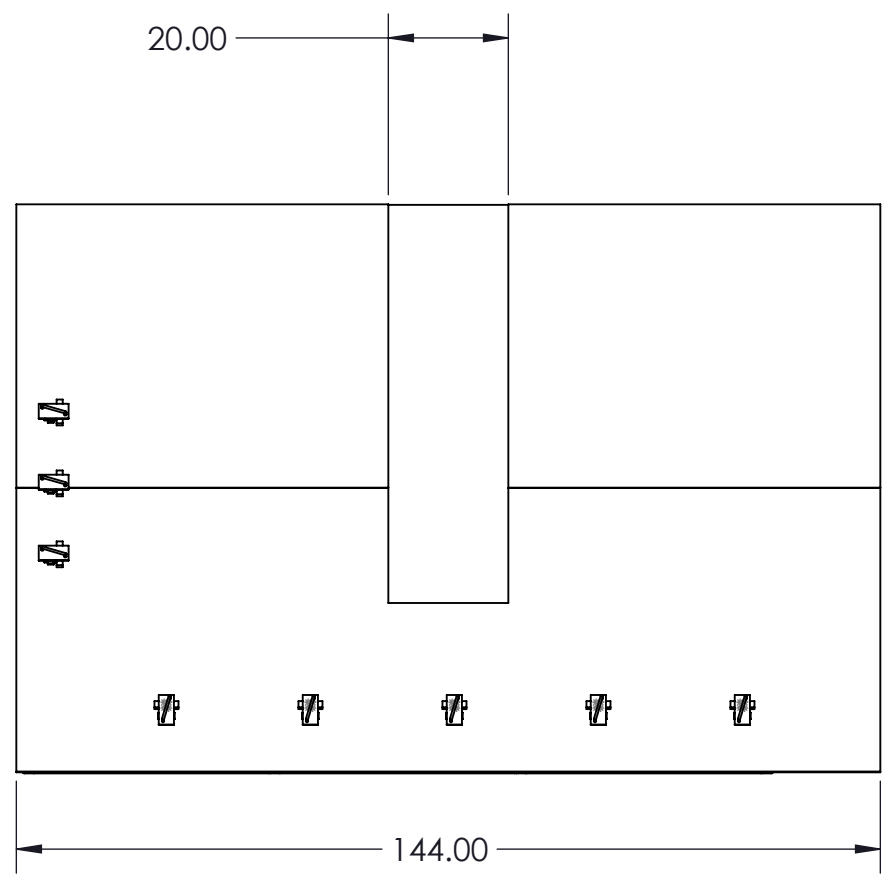
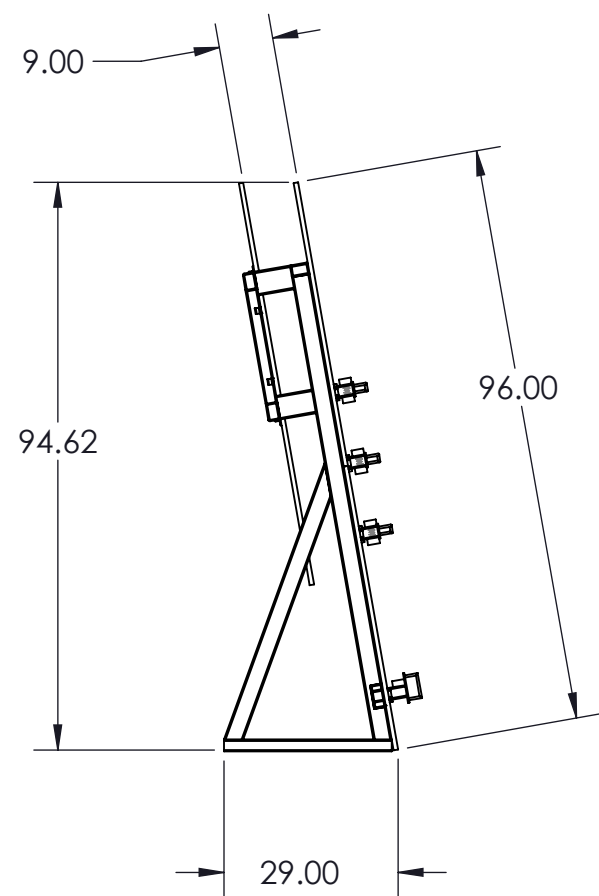
NOTE: Concept drawing only.  
All dimensions are approximate.  
Do not scale.

	INCHES	METRIC
UNLESS OTHERWISE SPECIFIED		
STOCK AND CUT-OFF DIMENSIONS	±0.031	±0.5
ONE PLACE DECIMAL DIMENSIONS	N/A	±0.2
TWO PLACE DECIMAL DIMENSIONS	±0.01	±0.10
THREE PLACE DECIMAL DIMENSIONS	±0.005	±0.013
FOUR PLACE DECIMAL DIMENSIONS	±0.0005	N/A
MACHINE ANGLES	±0.5°	±0.5°


PROPRIETARY AND CONFIDENTIAL  
THE INFORMATION CONTAINED IN THIS  
DRAWING IS THE SOLE PROPERTY OF  
BACA SYSTEMS.  
ANY REPRODUCTION IN PART OR AS A  
WHOLE WITHOUT THE WRITTEN PERMISSION  
OF BACA SYSTEMS IS PROHIBITED.

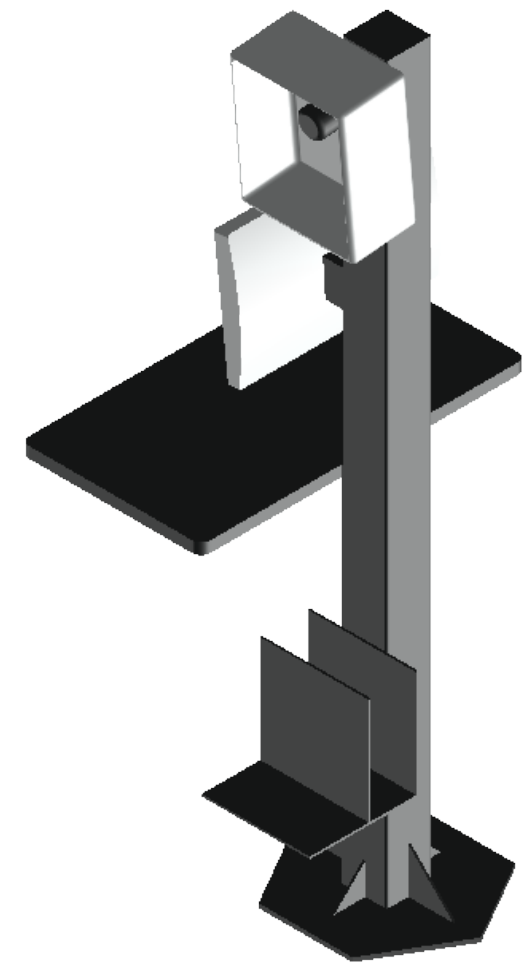
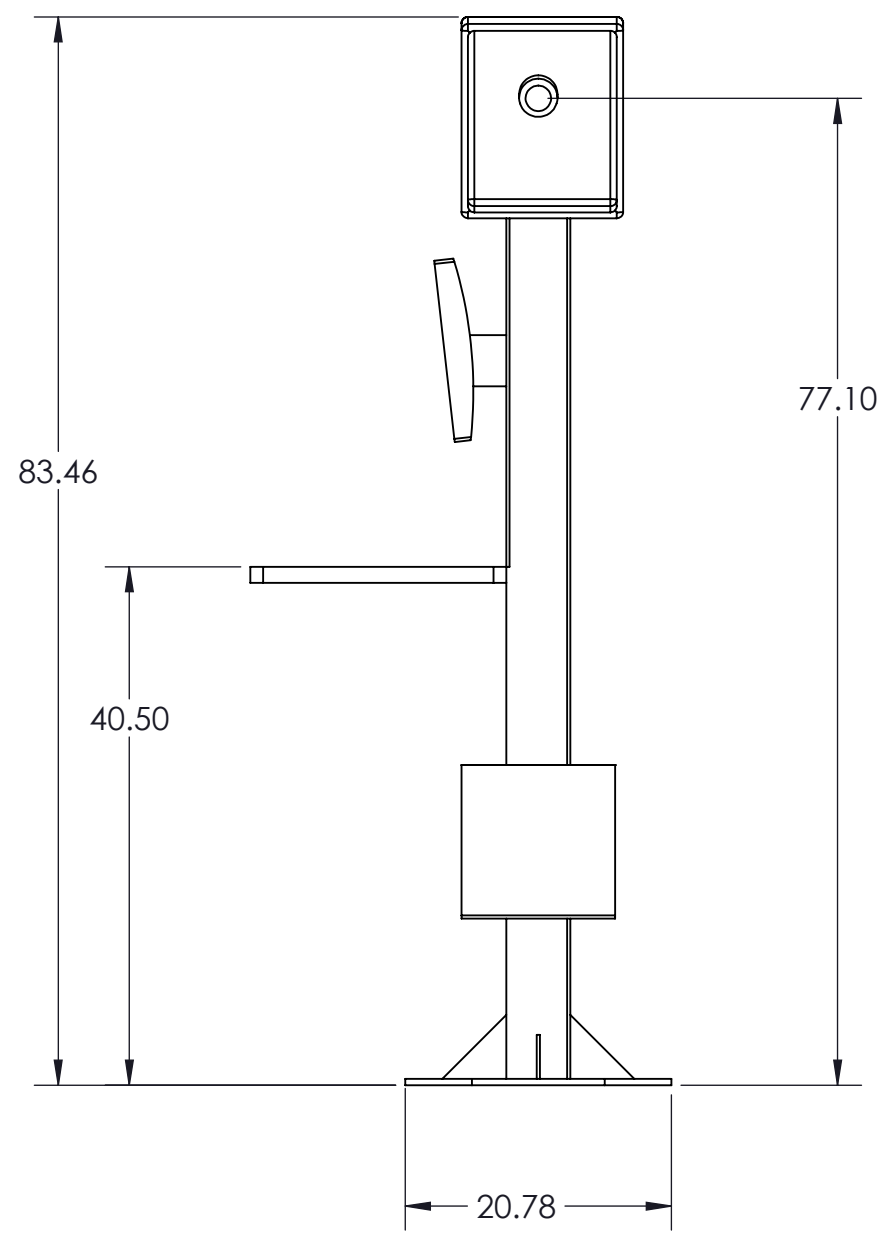
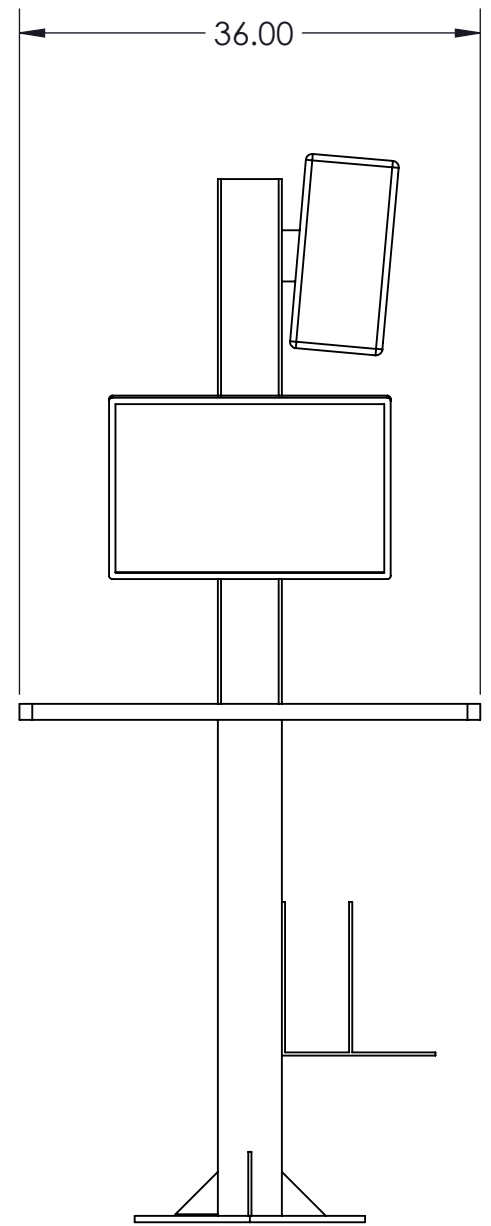
SIZE B	REV A-01
1:1	9/13/2017 SHEET 3 OF 6

8 7 6 5 4 3 2 1



NOTE: Concept drawing only.  
All dimensions are approximate.  
Do not scale.

	NAME	DATE	
DESIGNED	RK		
DETAILED	RK		
CHECKED			
ENG APPR.			
MFG APPR.			TITLE: SLAB RACK
UNLESS OTHERWISE SPECIFIED STOCK AND CUT-OFF DIMENSIONS ±0.031 INCHES ±0.5 METRIC ONE PLACE DECIMAL DIMENSIONS N/A ±0.2 TWO PLACE DECIMAL DIMENSIONS ±0.01 ±0.10 THREE PLACE DECIMAL DIMENSIONS ±0.005 ±0.013 FOUR PLACE DECIMAL DIMENSIONS ±0.0005 N/A MACHINE ANGLES ±0.5° ±0.5°			PROPRIETARY AND CONFIDENTIAL THE INFORMATION CONTAINED IN THIS DRAWING IS THE SOLE PROPERTY OF BACA SYSTEMS. ANY REPRODUCTION IN PART OR AS A WHOLE WITHOUT THE WRITTEN PERMISSION OF BACA SYSTEMS IS PROHIBITED.
SIZE	REV		
B	A-01		
SCALE 1:1	9/13/2017	SHEET 4 OF 6	



NOTE: Concept drawing only.  
All dimensions are approximate.  
Do not scale.

	NAME	DATE
DESIGNED	RK	
DETAILED	RK	
CHECKED		
ENG APPR.		
MFG APPR.		

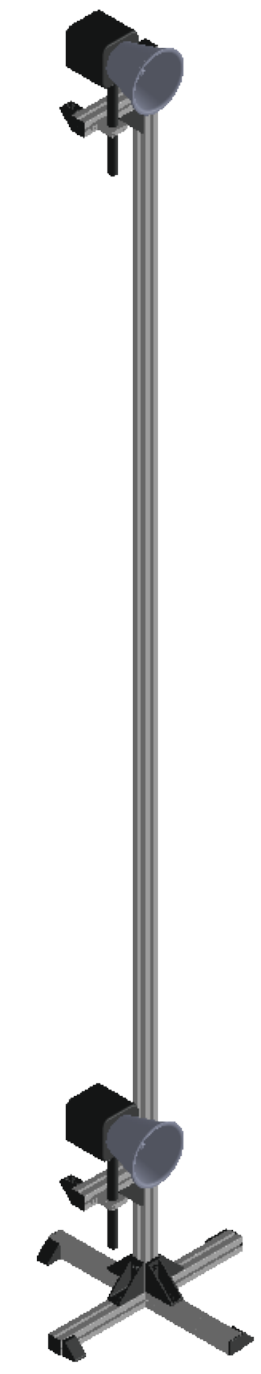
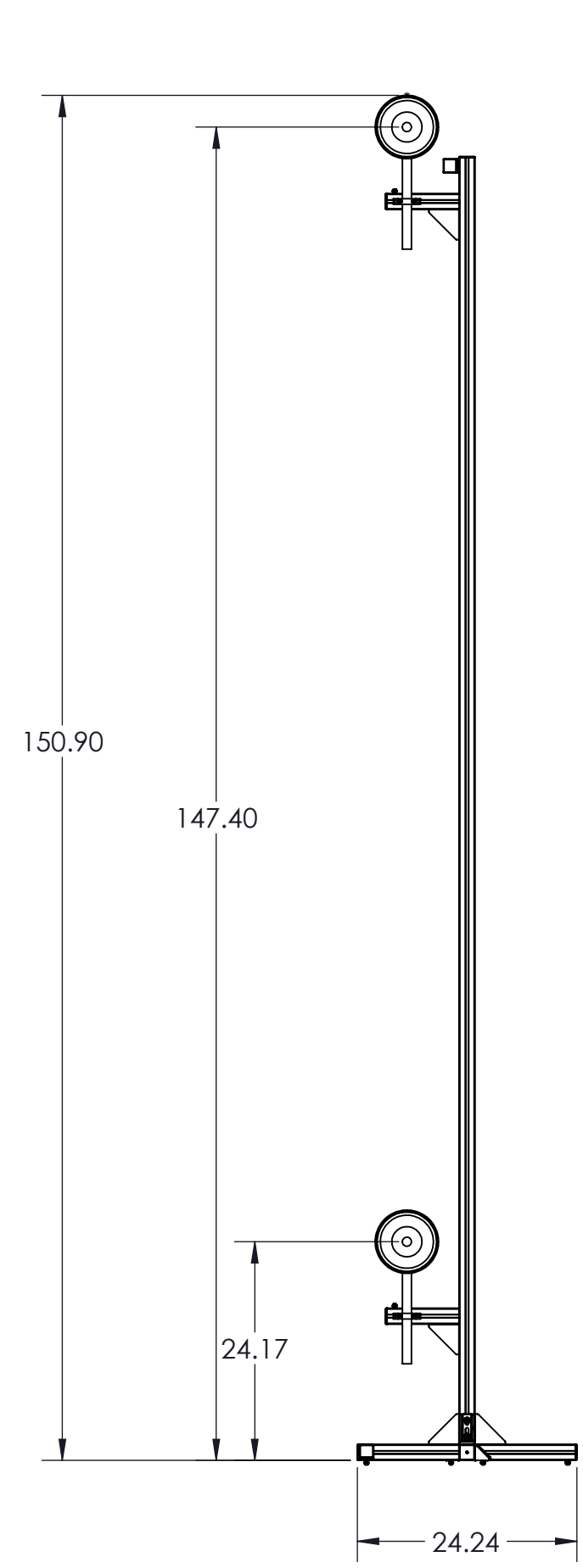


TITLE:  
Camera Stand

	INCHES	METRIC
STOCK AND CUT-OFF DIMENSIONS	±0.031	±0.5
ONE PLACE DECIMAL DIMENSIONS	N/A	±0.2
TWO PLACE DECIMAL DIMENSIONS	±0.01	±0.10
THREE PLACE DECIMAL DIMENSIONS	±0.005	±0.013
FOUR PLACE DECIMAL DIMENSIONS	±0.0005	N/A
MACHINE ANGLES	±0.5°	±0.5°

PROPRIETARY AND CONFIDENTIAL  
THE INFORMATION CONTAINED IN THIS DRAWING IS THE SOLE PROPERTY OF BACA SYSTEMS. ANY REPRODUCTION IN PART OR AS A WHOLE WITHOUT THE WRITTEN PERMISSION OF BACA SYSTEMS IS PROHIBITED.

SIZE B	REV A-01
SCALE 1:1	9/13/2017 SHEET 5 OF 6



NOTE: Concept drawing only.  
All dimensions are approximate.  
Do not scale.

	NAME	DATE
DESIGNED	RK	
DETAILED	RK	
CHECKED		
ENG APPR.		
MFG APPR.		



TITLE:  
Light Stand

	INCHES	METRIC
UNLESS OTHERWISE SPECIFIED		
STOCK AND CUT-OFF DIMENSIONS	±0.031	±0.5
ONE PLACE DECIMAL DIMENSIONS	N/A	±0.2
TWO PLACE DECIMAL DIMENSIONS	±0.01	±0.10
THREE PLACE DECIMAL DIMENSIONS	±0.005	±0.013
FOUR PLACE DECIMAL DIMENSIONS	±0.0005	N/A
MACHINE ANGLES	±0.5°	±0.5°

PROPRIETARY AND CONFIDENTIAL  
THE INFORMATION CONTAINED IN THIS DRAWING IS THE SOLE PROPERTY OF BACA SYSTEMS. ANY REPRODUCTION IN PART OR AS A WHOLE WITHOUT THE WRITTEN PERMISSION OF BACA SYSTEMS IS PROHIBITED.

SIZE B	REV A-01
SCALE 1:1	9/13/2017 SHEET 6 OF 6