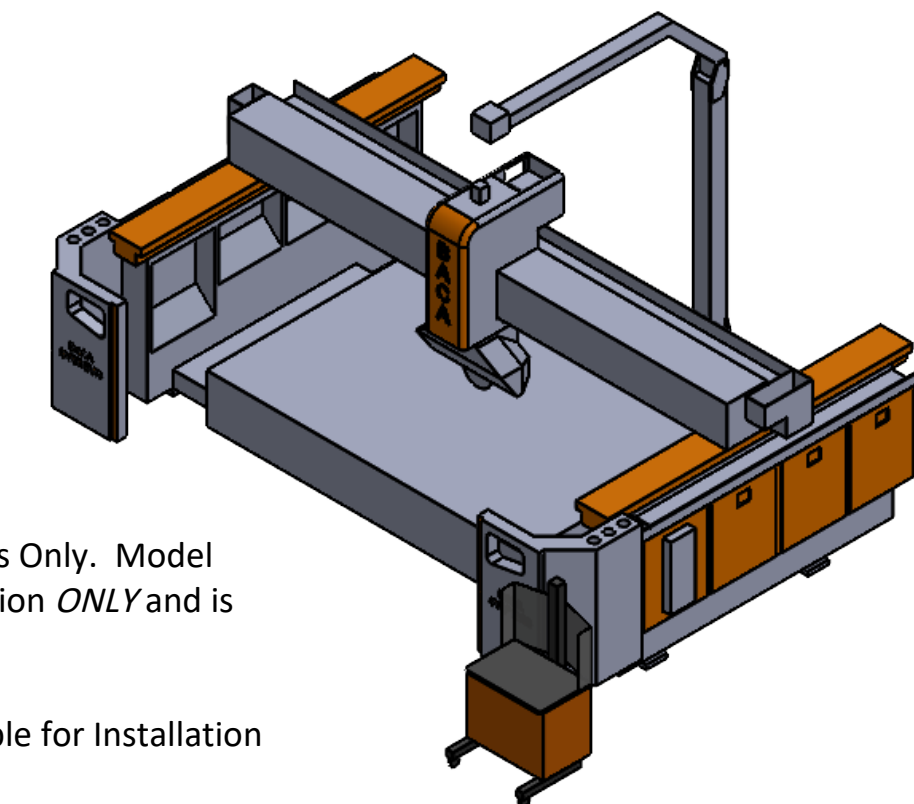
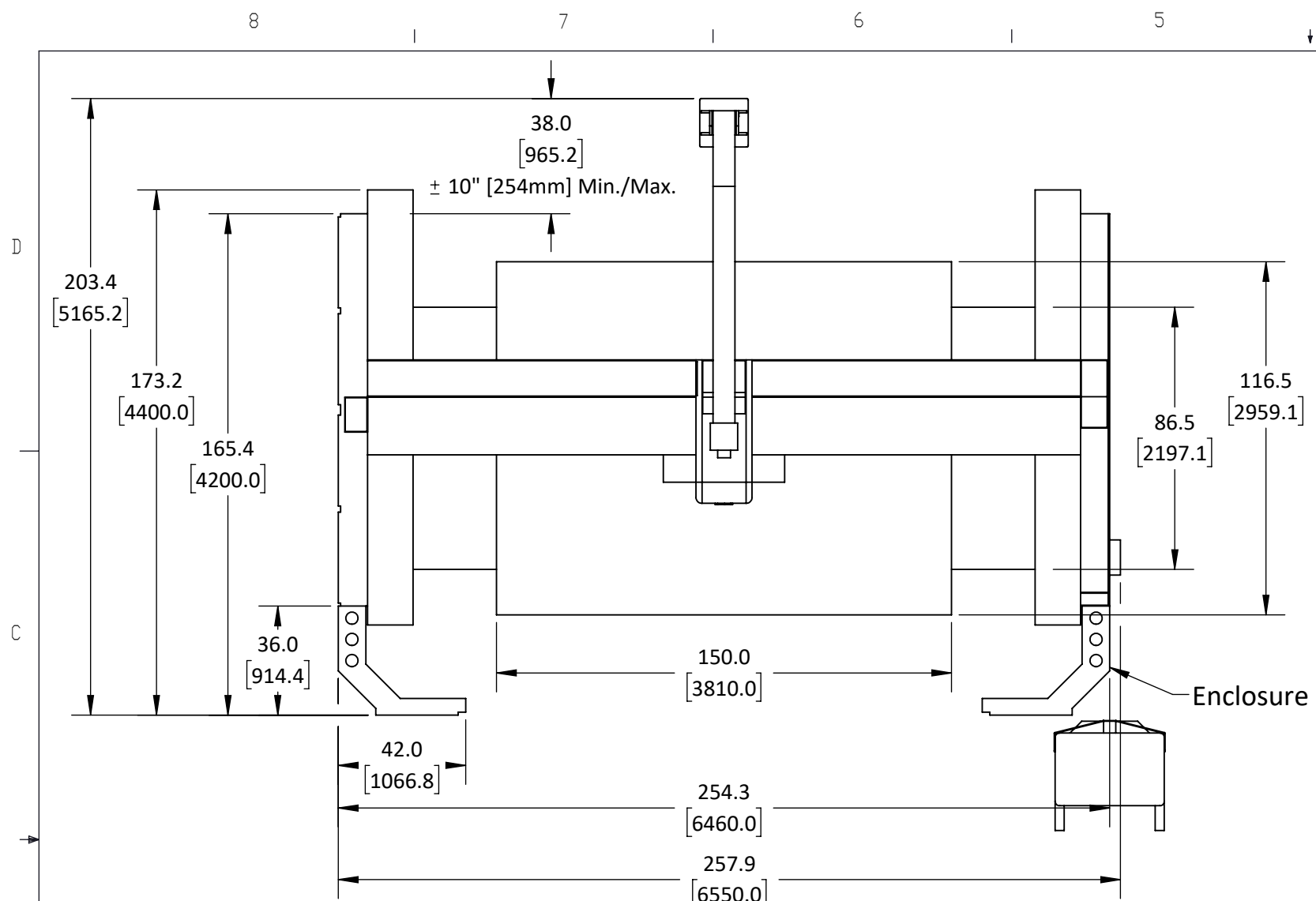
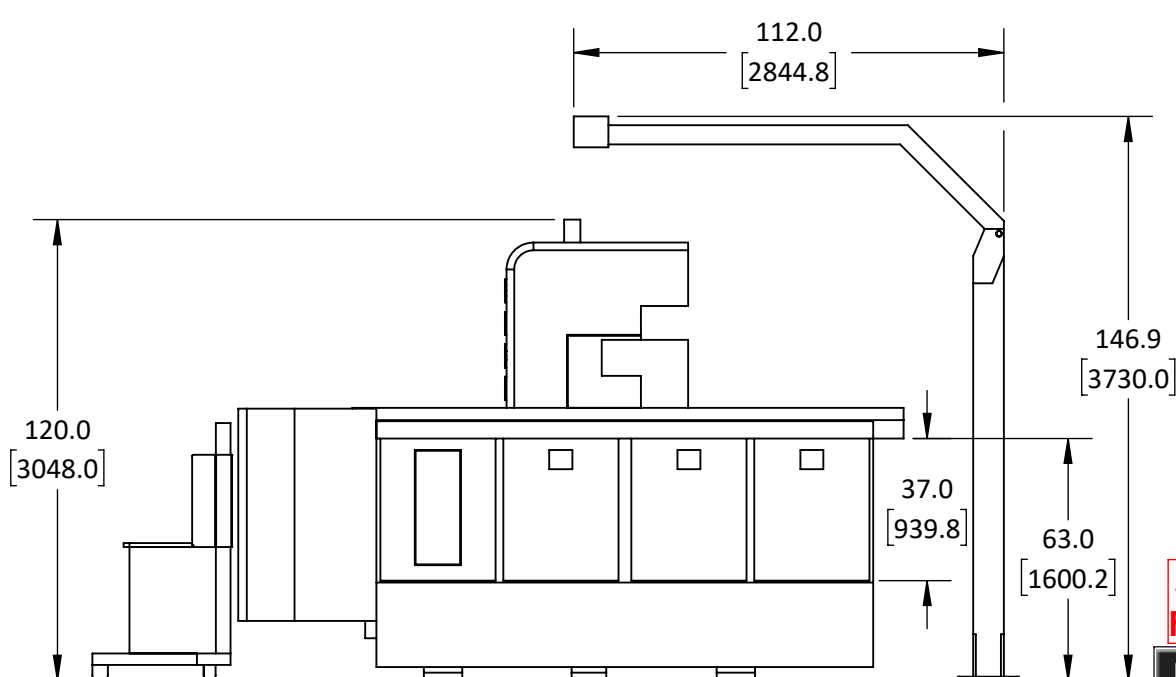
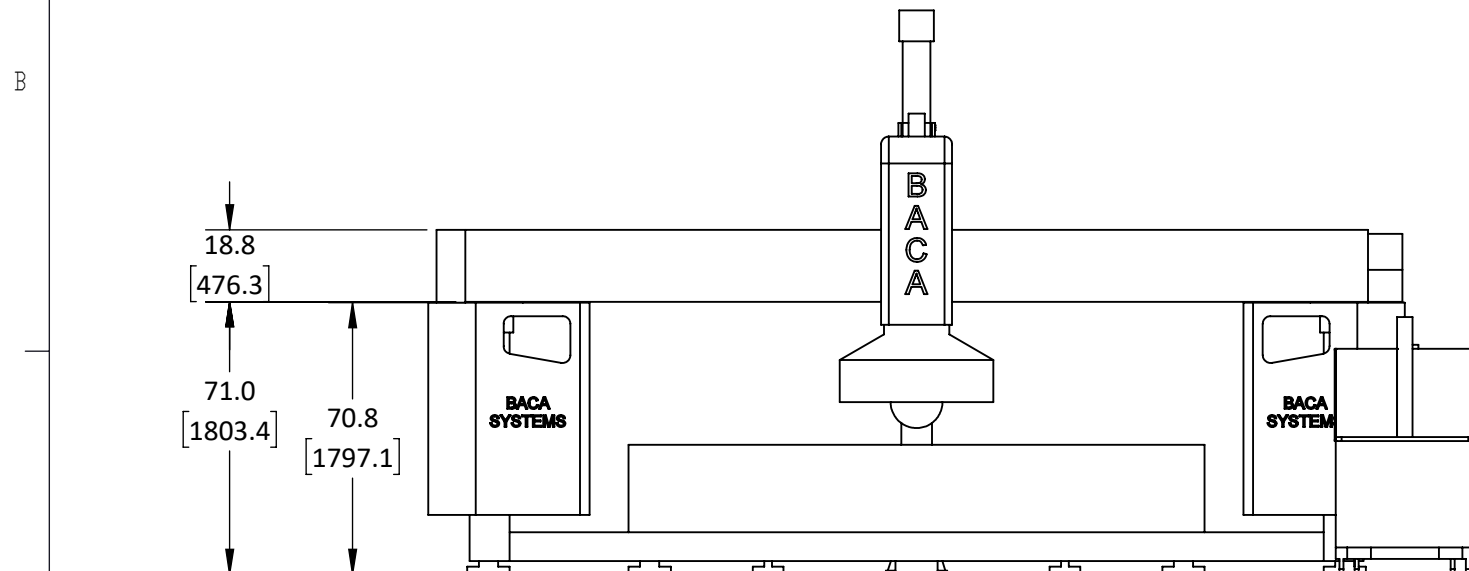


REVISIONS			
L-1.02	NOTE 2 ADDED.	1.28.22	DL



- NOTES:
1. For Footprint Purposes Only. Model Shown is for Representation *ONLY* and is *Not* Actual Model.
 2. Customer is Responsible for Installation of Leveling Pucks.



See Pre-Install Document For Additional Information

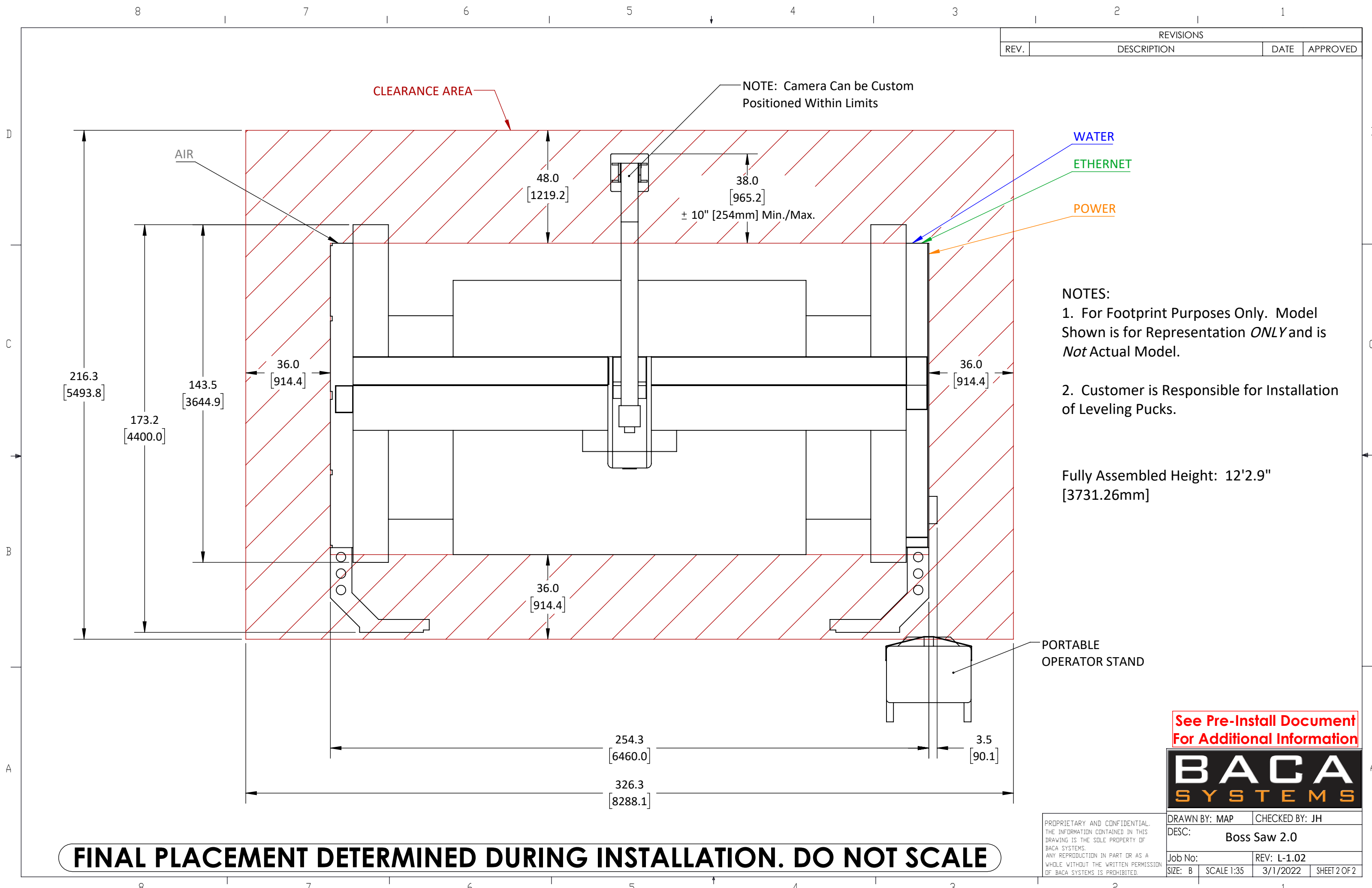


FINAL PLACEMENT DETERMINED DURING INSTALLATION. DO NOT SCALE

PROPRIETARY AND CONFIDENTIAL. THE INFORMATION CONTAINED IN THIS DRAWING IS THE SOLE PROPERTY OF BACA SYSTEMS. ANY REPRODUCTION IN PART OR AS A WHOLE WITHOUT THE WRITTEN PERMISSION OF BACA SYSTEMS IS PROHIBITED.

DRAWN BY: MAP	CHECKED BY: JH
DESC: Boss Saw 2.0	
Job No:	REV: L-1.02
SIZE: B	SCALE 1:50
3/1/2022	SHEET 1 OF 2

REVISIONS			
REV.	DESCRIPTION	DATE	APPROVED



CLEARANCE AREA

NOTE: Camera Can be Custom Positioned Within Limits

WATER

ETHERNET

POWER

- NOTES:
1. For Footprint Purposes Only. Model Shown is for Representation *ONLY* and is *Not* Actual Model.
 2. Customer is Responsible for Installation of Leveling Pucks.

Fully Assembled Height: 12'2.9"
[3731.26mm]

PORTABLE OPERATOR STAND

See Pre-Install Document For Additional Information



PROPRIETARY AND CONFIDENTIAL. THE INFORMATION CONTAINED IN THIS DRAWING IS THE SOLE PROPERTY OF BACA SYSTEMS. ANY REPRODUCTION IN PART OR AS A WHOLE WITHOUT THE WRITTEN PERMISSION OF BACA SYSTEMS IS PROHIBITED.

DRAWN BY: MAP	CHECKED BY: JH
DESC: Boss Saw 2.0	
Job No:	REV: L-1.02
SIZE: B	SCALE 1:35
3/1/2022	SHEET 2 OF 2

FINAL PLACEMENT DETERMINED DURING INSTALLATION. DO NOT SCALE