
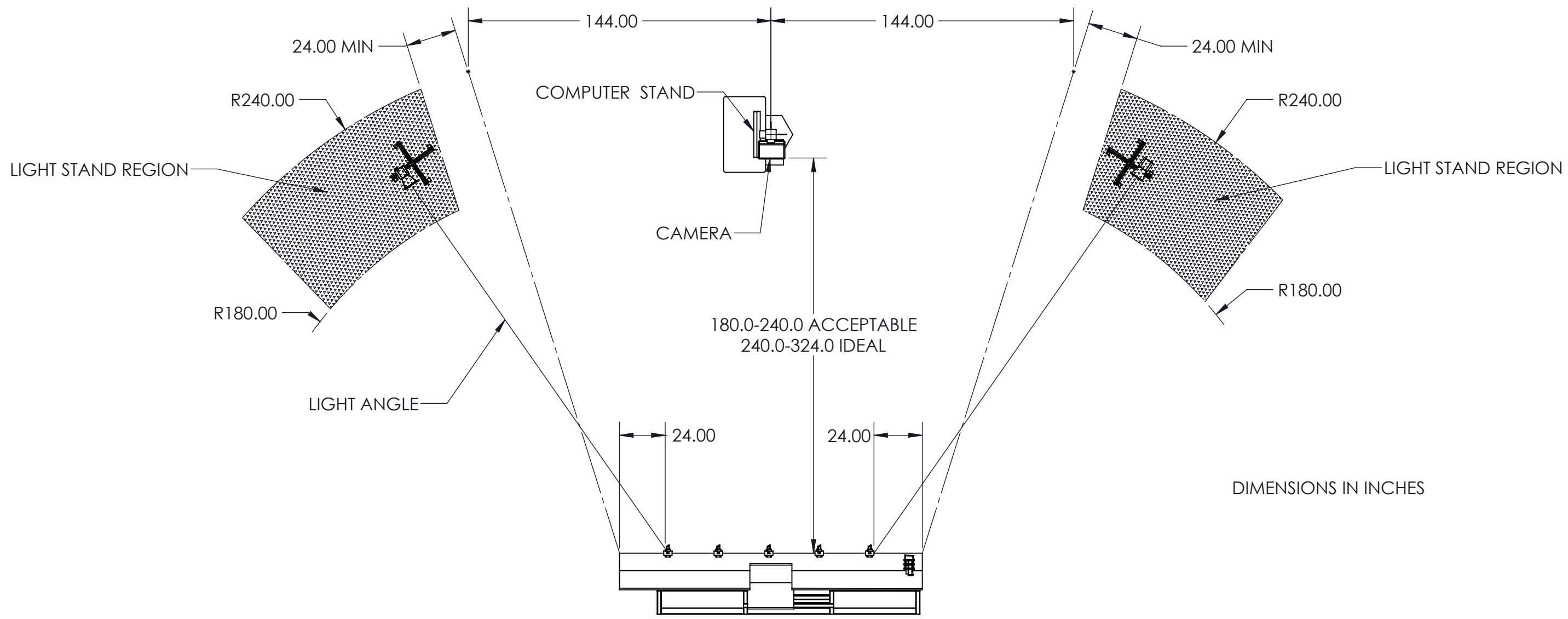


NOTE: Concept drawing only.
All dimensions are approximate.
Do not scale.

	NAME	DATE																						
DESIGNED	RK																							
DETAILED	RK																							
CHECKED																								
ENG APPR.																								
MFG APPR.			TITLE: Granite Studio Station																					
<p>UNLESS OTHERWISE SPECIFIED</p> <table border="1"> <thead> <tr> <th></th> <th>INCHES</th> <th>METRIC</th> </tr> </thead> <tbody> <tr> <td>STOCK AND CUT-OFF DIMENSIONS</td> <td>±0.031</td> <td>±0.5</td> </tr> <tr> <td>ONE PLACE DECIMAL DIMENSIONS</td> <td>N/A</td> <td>±0.2</td> </tr> <tr> <td>TWO PLACE DECIMAL DIMENSIONS</td> <td>±0.01</td> <td>±0.10</td> </tr> <tr> <td>THREE PLACE DECIMAL DIMENSIONS</td> <td>±0.005</td> <td>±0.013</td> </tr> <tr> <td>FOUR PLACE DECIMAL DIMENSIONS</td> <td>±0.0005</td> <td>N/A</td> </tr> <tr> <td>MACHINE ANGLES</td> <td>±0.5°</td> <td>±0.5°</td> </tr> </tbody> </table>				INCHES	METRIC	STOCK AND CUT-OFF DIMENSIONS	±0.031	±0.5	ONE PLACE DECIMAL DIMENSIONS	N/A	±0.2	TWO PLACE DECIMAL DIMENSIONS	±0.01	±0.10	THREE PLACE DECIMAL DIMENSIONS	±0.005	±0.013	FOUR PLACE DECIMAL DIMENSIONS	±0.0005	N/A	MACHINE ANGLES	±0.5°	±0.5°	<p>PROPRIETARY AND CONFIDENTIAL</p> <p>THE INFORMATION CONTAINED IN THIS DRAWING IS THE SOLE PROPERTY OF BACA SYSTEMS. ANY REPRODUCTION IN PART OR AS A WHOLE WITHOUT THE WRITTEN PERMISSION OF BACA SYSTEMS IS PROHIBITED.</p>
	INCHES	METRIC																						
STOCK AND CUT-OFF DIMENSIONS	±0.031	±0.5																						
ONE PLACE DECIMAL DIMENSIONS	N/A	±0.2																						
TWO PLACE DECIMAL DIMENSIONS	±0.01	±0.10																						
THREE PLACE DECIMAL DIMENSIONS	±0.005	±0.013																						
FOUR PLACE DECIMAL DIMENSIONS	±0.0005	N/A																						
MACHINE ANGLES	±0.5°	±0.5°																						
SIZE	REV																							
B	A-01																							
SCALE 1:1	9/13/2017	SHEET 1 OF 6																						



NOTE: Concept drawing only.
All dimensions are approximate.
Do not scale.

	INCHES	METRIC
UNLESS OTHERWISE SPECIFIED		
STOCK AND CUT-OFF DIMENSIONS	±0.031	±0.5
ONE PLACE DECIMAL DIMENSIONS	N/A	±0.2
TWO PLACE DECIMAL DIMENSIONS	±0.01	±0.10
THREE PLACE DECIMAL DIMENSIONS	±0.005	±0.013
FOUR PLACE DECIMAL DIMENSIONS	±0.0005	N/A
MACHINE ANGLES	±0.5°	±0.5°

	NAME	DATE
DESIGNED	RK	
DETAILED	RK	
CHECKED		
ENG APPR.		
MFG APPR.		

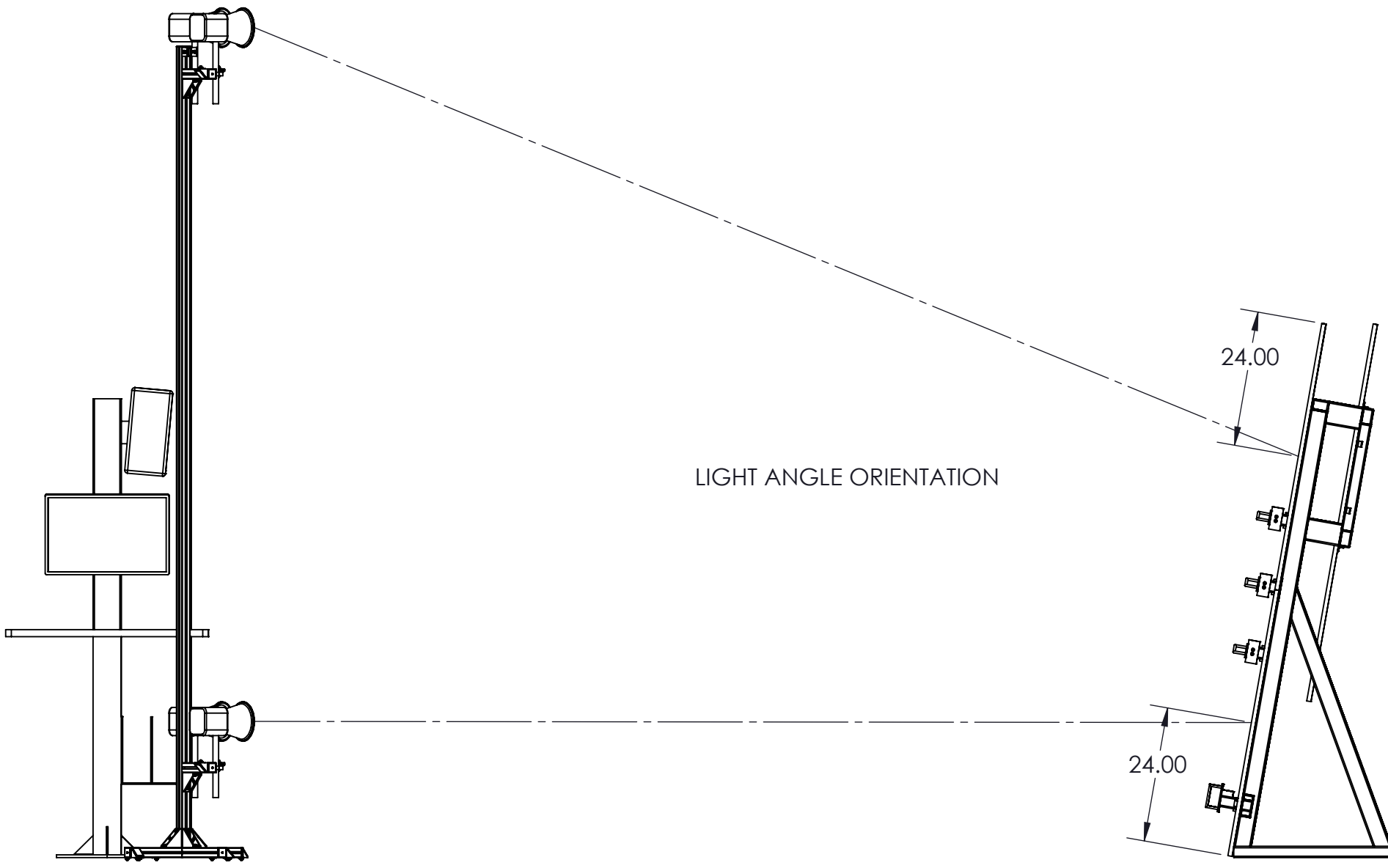


TITLE:	
Photo Station Layout	
SIZE	REV
B	A-01
SCALE 1:1	9/13/2017 SHEET 2 OF 6

PROPRIETARY AND CONFIDENTIAL
THE INFORMATION CONTAINED IN THIS DRAWING IS THE SOLE PROPERTY OF BACA SYSTEMS. ANY REPRODUCTION IN PART OR AS A WHOLE WITHOUT THE WRITTEN PERMISSION OF BACA SYSTEMS IS PROHIBITED.

8 7 6 5 4 3 2 1

D
C
B
A



NOTE: Concept drawing only.
All dimensions are approximate.
Do not scale.

	INCHES	METRIC
UNLESS OTHERWISE SPECIFIED		
STOCK AND CUT-OFF DIMENSIONS	±0.031	±0.5
ONE PLACE DECIMAL DIMENSIONS	N/A	±0.2
TWO PLACE DECIMAL DIMENSIONS	±0.01	±0.10
THREE PLACE DECIMAL DIMENSIONS	±0.005	±0.013
FOUR PLACE DECIMAL DIMENSIONS	±0.0005	N/A
MACHINE ANGLES	±0.5°	±0.5°

	NAME	DATE
DESIGNED	RK	
DETAILED	RK	
CHECKED		
ENG APPR.		
MFG APPR.		



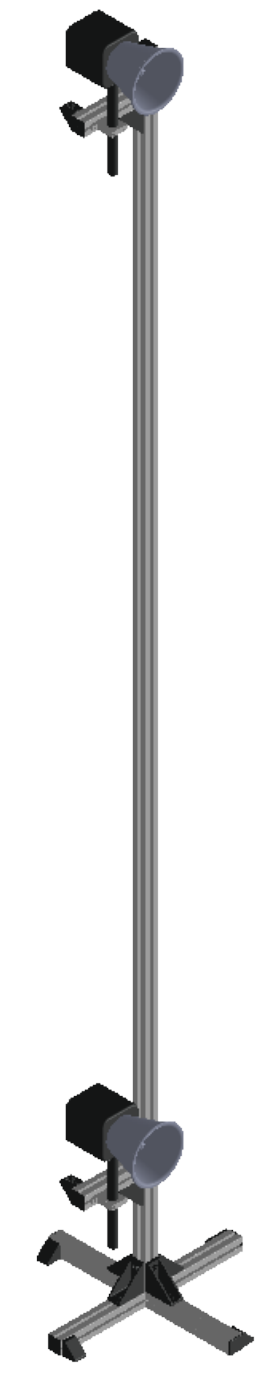
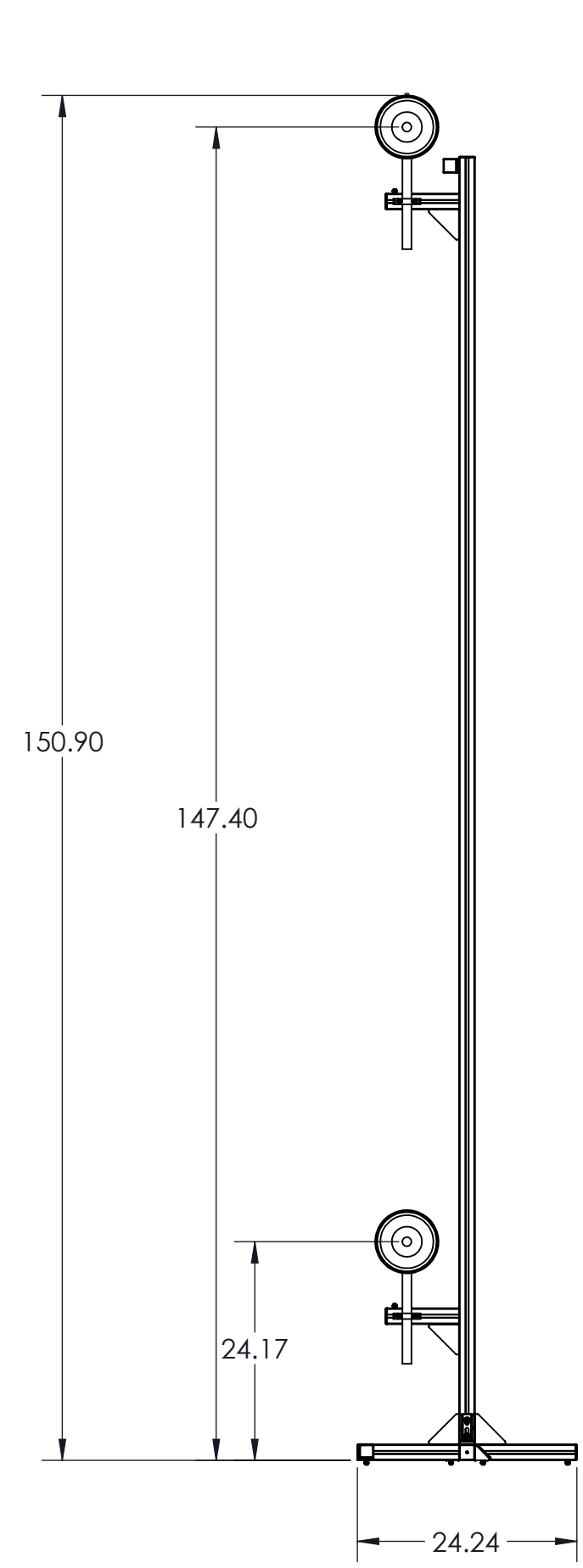
TITLE:
SIDE VIEW

SIZE B	REV A-01
1:1	9/13/2017 SHEET 3 OF 6

8 7 6 5 4 3 2 1

8 7 6 5 4 3 2 1

D
C
B
A



NOTE: Concept drawing only.
All dimensions are approximate.
Do not scale.

	NAME	DATE
DESIGNED	RK	
DETAILED	RK	
CHECKED		
ENG APPR.		
MFG APPR.		



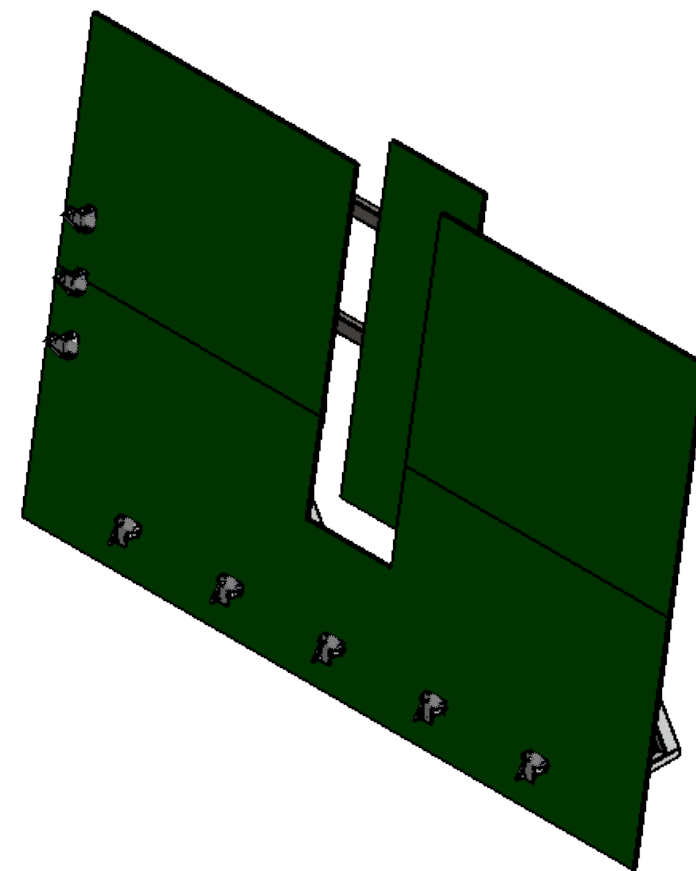
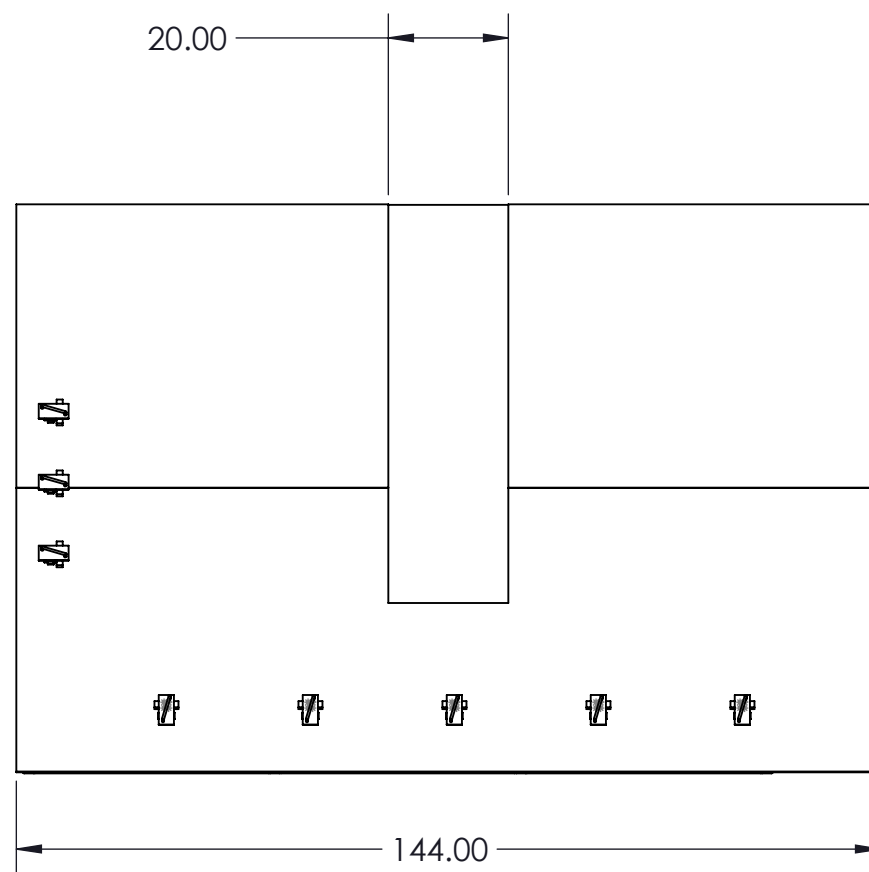
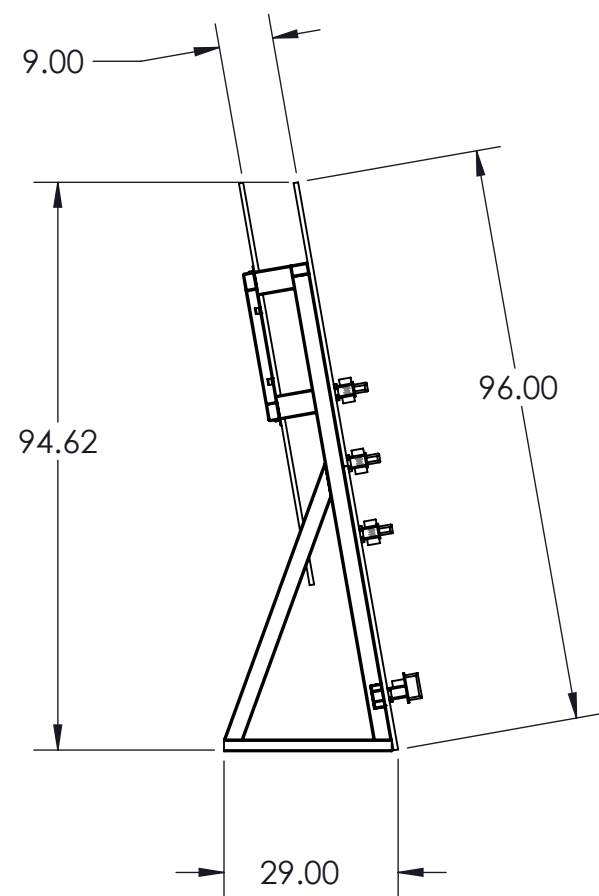
TITLE:
Light Stand

	INCHES	METRIC
UNLESS OTHERWISE SPECIFIED		
STOCK AND CUT-OFF DIMENSIONS	±0.031	±0.5
ONE PLACE DECIMAL DIMENSIONS	N/A	±0.2
TWO PLACE DECIMAL DIMENSIONS	±0.01	±0.10
THREE PLACE DECIMAL DIMENSIONS	±0.005	±0.013
FOUR PLACE DECIMAL DIMENSIONS	±0.0005	N/A
MACHINE ANGLES	±0.5°	±0.5°

PROPRIETARY AND CONFIDENTIAL
THE INFORMATION CONTAINED IN THIS DRAWING IS THE SOLE PROPERTY OF BACA SYSTEMS. ANY REPRODUCTION IN PART OR AS A WHOLE WITHOUT THE WRITTEN PERMISSION OF BACA SYSTEMS IS PROHIBITED.

SIZE B	REV A-01
SCALE 1:1	9/13/2017 SHEET 4 OF 6

8 7 6 5 4 3 2 1



NOTE: Concept drawing only.
All dimensions are approximate.
Do not scale.

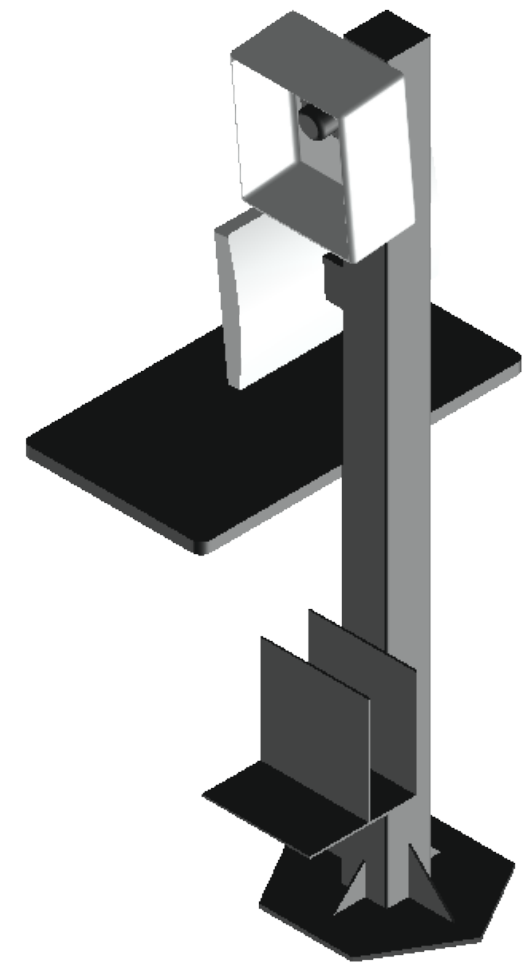
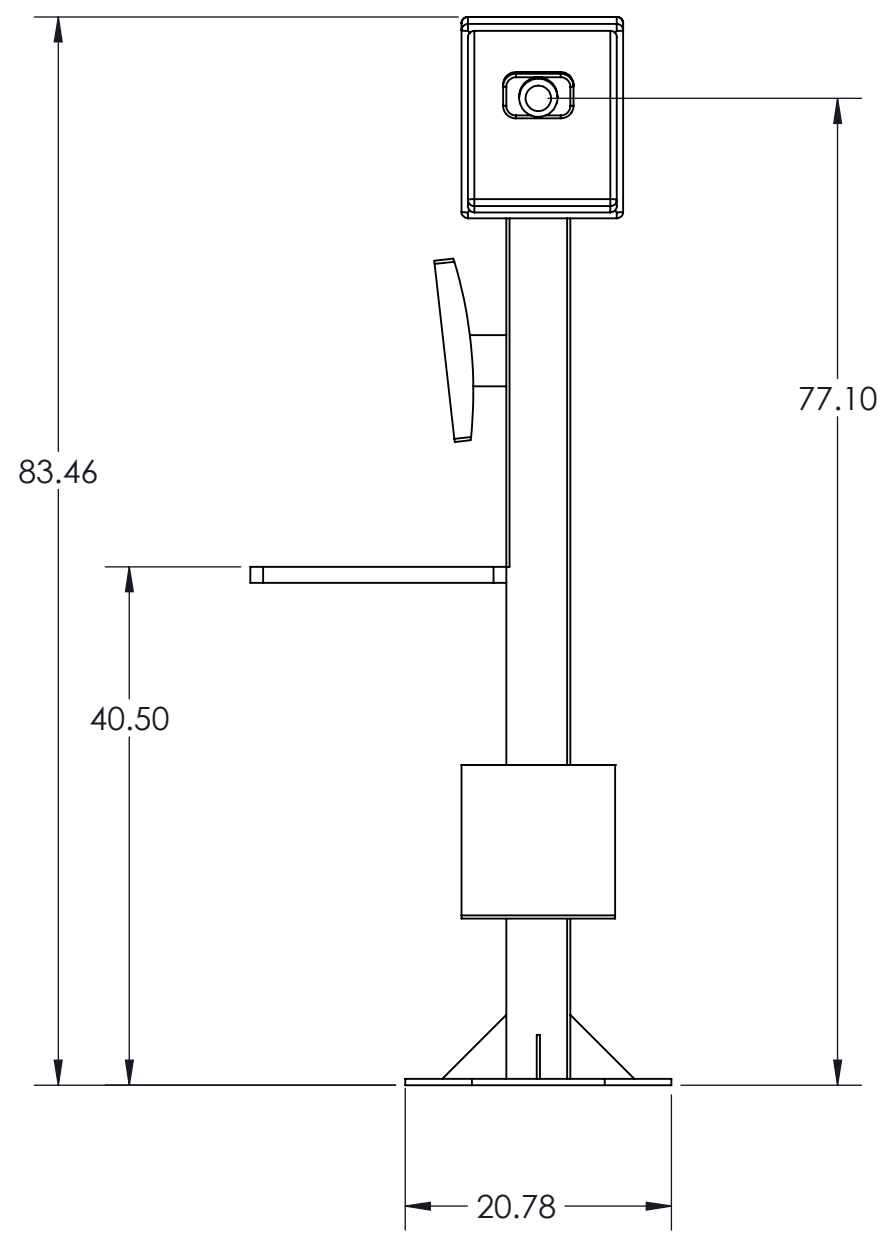
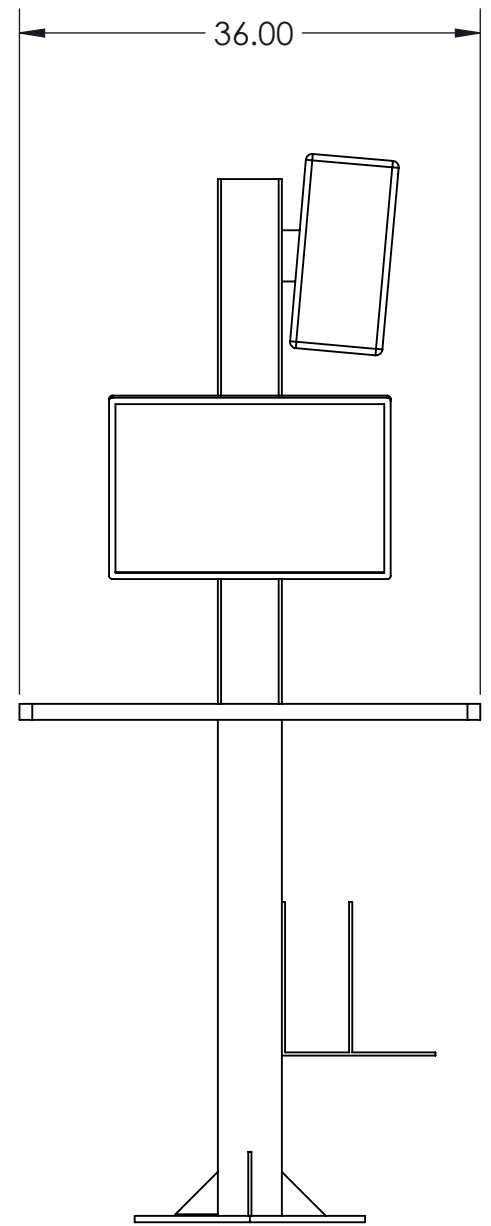
	NAME	DATE
DESIGNED	RK	
DETAILED	RK	
CHECKED		
ENG APPR.		
MFG APPR.		



TITLE:	
SLAB RACK	
SIZE	REV
B	A-01
SCALE 1:1	SHEET 5 OF 6

UNLESS OTHERWISE SPECIFIED	INCHES	METRIC	PROPRIETARY AND CONFIDENTIAL
STOCK AND CUT-OFF DIMENSIONS	±0.031	±0.5	THE INFORMATION CONTAINED IN THIS DRAWING IS THE SOLE PROPERTY OF BACA SYSTEMS. ANY REPRODUCTION IN PART OR AS A WHOLE WITHOUT THE WRITTEN PERMISSION OF BACA SYSTEMS IS PROHIBITED.
ONE PLACE DECIMAL DIMENSIONS	N/A	±0.2	
TWO PLACE DECIMAL DIMENSIONS	±0.01	±0.10	
THREE PLACE DECIMAL DIMENSIONS	±0.005	±0.013	
FOUR PLACE DECIMAL DIMENSIONS	±0.0005	N/A	
MACHINE ANGLES	±0.5°	±0.5°	

D
C
B
A



NOTE: Concept drawing only.
All dimensions are approximate.
Do not scale.

	NAME	DATE
DESIGNED	RK	
DETAILED	RK	
CHECKED		
ENG APPR.		
MFG APPR.		



TITLE:
Camera Stand

	INCHES	METRIC
STOCK AND CUT-OFF DIMENSIONS	±0.031	±0.5
ONE PLACE DECIMAL DIMENSIONS	N/A	±0.2
TWO PLACE DECIMAL DIMENSIONS	±0.01	±0.10
THREE PLACE DECIMAL DIMENSIONS	±0.005	±0.013
FOUR PLACE DECIMAL DIMENSIONS	±0.0005	N/A
MACHINE ANGLES	±0.5°	±0.5°

PROPRIETARY AND CONFIDENTIAL
THE INFORMATION CONTAINED IN THIS DRAWING IS THE SOLE PROPERTY OF BACA SYSTEMS. ANY REPRODUCTION IN PART OR AS A WHOLE WITHOUT THE WRITTEN PERMISSION OF BACA SYSTEMS IS PROHIBITED.

SIZE B	REV A-01
SCALE 1:1	9/13/2017 SHEET 6 OF 6